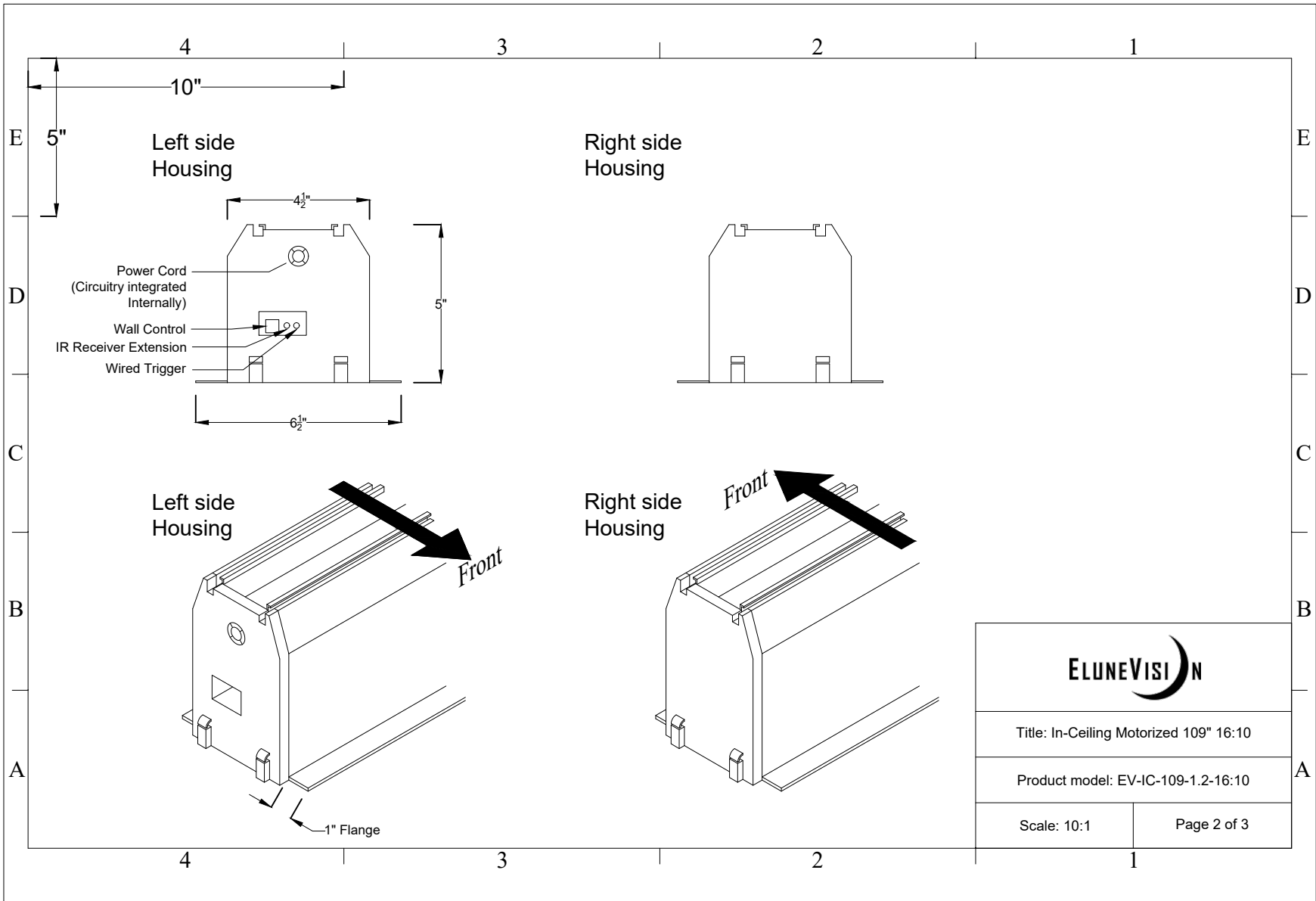


Title: In-Ceiling Motorized 109" 16:10

Product model: EV-IC-109-1.2-16:10

Scale: 1:1

Page 1 of 3



Title: In-Ceiling Motorized 109" 16:10

Product model: EV-IC-109-1.2-16:10

Scale: 10:1

Page 2 of 3

