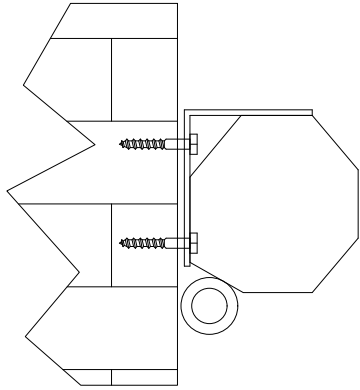
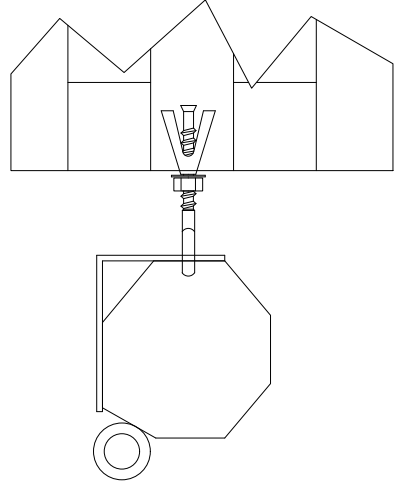


5 4 3 2 1

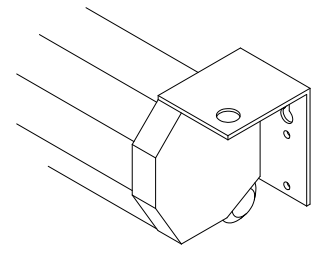
### Mounting Methods



Wall Mounting



Ceiling Mounting




Mounting Bracket on Housing

C  
B  
A

C  
B  
A

5 4 3 2 1

|  |             |
|--|-------------|
|  |             |
| Triton Manual Pull-Down<br>Screen 84" 16:9   |             |
| Product Model: EV-M-84-1.2   |             |
| not to scale   | Page 2 of 2 |