



Pneumatic Air-Lift Screen User Manual

General Notes

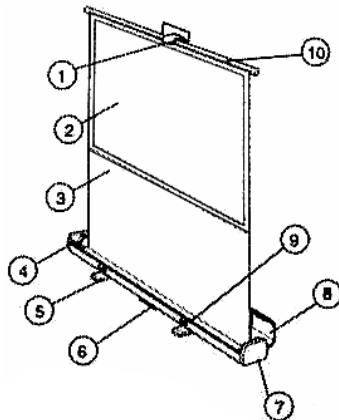
1. Thank you for choosing our projection screen for your home or business. Please read the user manual carefully before proceeding.
2. When not in use, fully close the screen and the case to prevent damage to the screen.
3. When cleaning, use a soft damp cloth with warm water or diluted liquid detergent to remove any marks on the casing or on the screen surface.
4. Never attempt to use any solutions containing corrosive chemicals or abrasive cleaners on the screen surface.
5. To avoid damaging the screen, do not fold the screen or touch the screen directly with your hands, tools, or any other abrasive/sharp object.
6. Do not throw the screen. If the screen needs to be transported, close the screen and the two latches on the case and carry by the handle.
7. Curvature will appear in the edge of fabric when fabric is extended completely, it is a common phenomenon and the curvature will gradually disappear after you extend the screen for about ten minutes.

Safety Guide

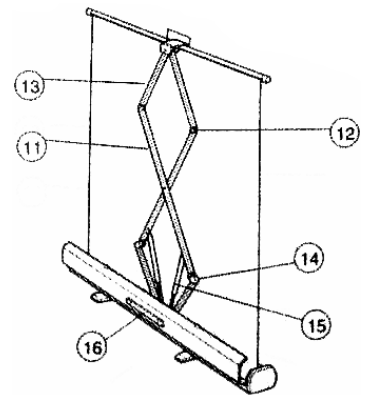
1. When using the screen, rotate the feet and place it on a flat, stable surface.
2. If the screen is being used outdoors, ensure there are no environmental hazards which could cause damage to screen and others around it. This includes but is not limited to wind, precipitation, flying objects, and pets.

Parts Identification

1. Bar handle
2. Screen fabric
3. Skirt film
4. Left end cap
5. Rotating foot
6. Bottom case
7. Right end cap
8. Case cover
9. Case latch
10. Top bar



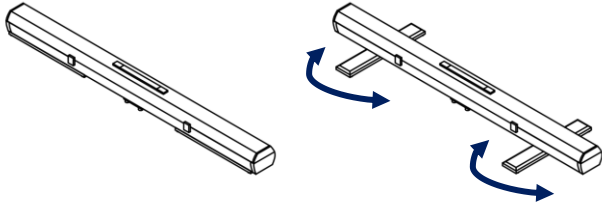
11. Long arm
12. Upper arm hinge
13. Short arm
14. Lower arm hinge
15. Pneumatic piston
16. Case handle



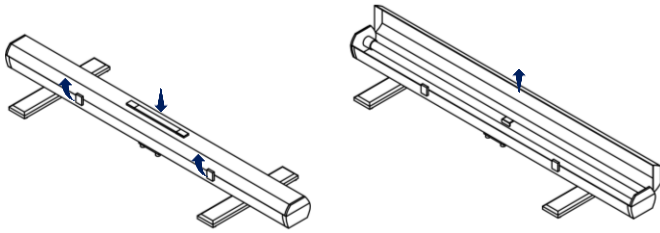
Screen Operation

RAISING THE PROJECTION SURFACE

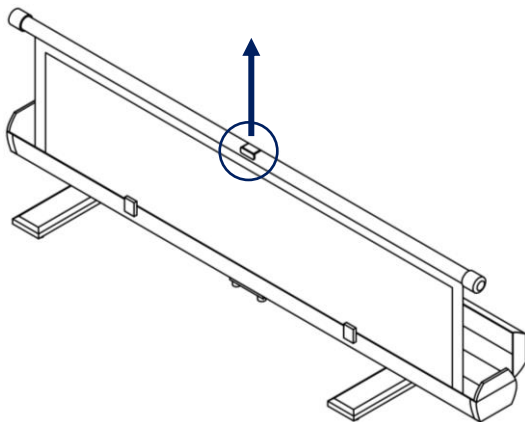
1. Place the screen on the floor in the desired position and rotate the feet so that they are perpendicular to the case. Position the screen so the audience can see the whole screen when it is extended.



2. Release the latches and open the case cover. Push down lightly on the center of the case lid to release the catches.



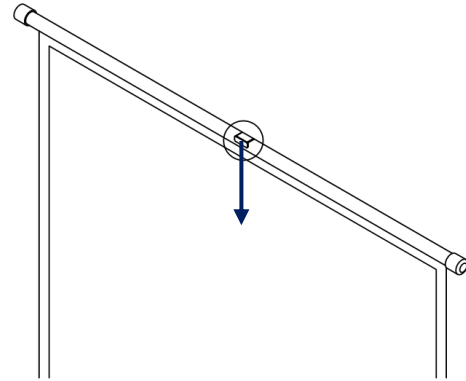
3. Grasp the bar handle and slowly raise the screen to the desired height while keeping the top bar level. To ensure the screen stays in good condition, only raise and lower the screen with the bar handle located in the middle of the bar.



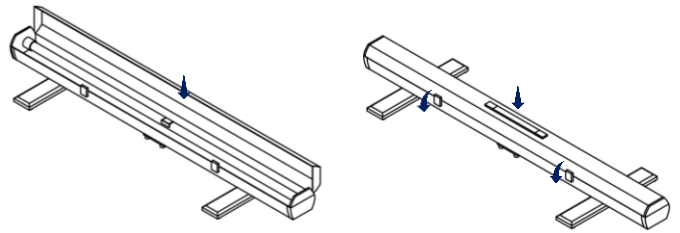
Note: If the screen is slowly increasing in height due to the pressure of the pneumatic air pistons, attach a small weight to the bar handle to keep the screen at the desired height.

LOWERING THE PROJECTION SURFACE

1. Slowly lower the screen by pressing down on the bar handle in the middle. To ensure the screen stays in good condition for a long period of time, only lower the screen using the bar handle.



2. Close the case cover and secure the latches. It may be necessary to press down on the top of the case to get the latches to engage properly.



3. Rotate the feet so that they are in line with the case and out of the way before transporting.

