
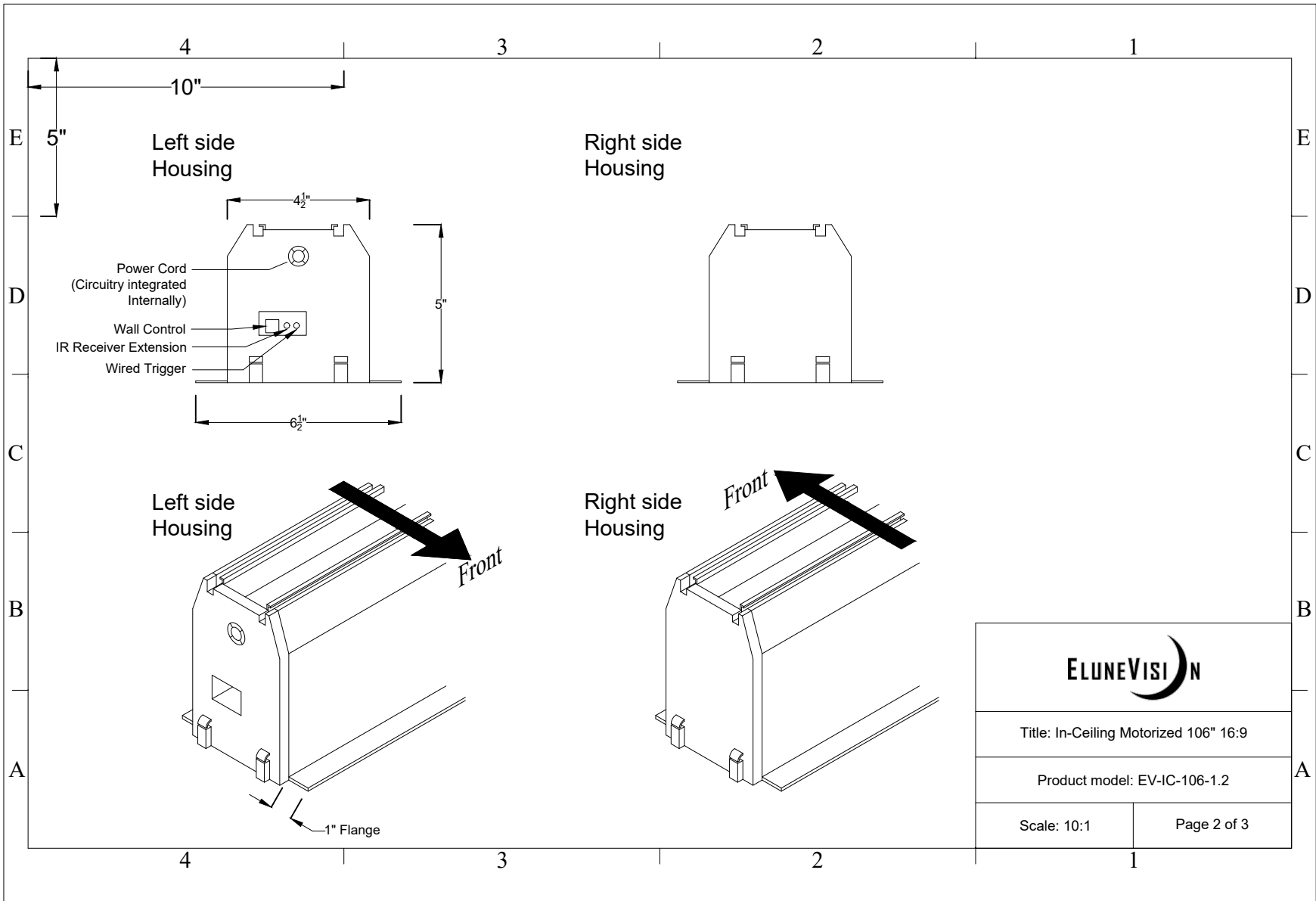


<b>ELUNEVISI</b> 	
Title: In-Ceiling Motorized 106" 16:9	
Product model: EV-IC-106-1.2	
Scale: 1:1	Page 1 of 3

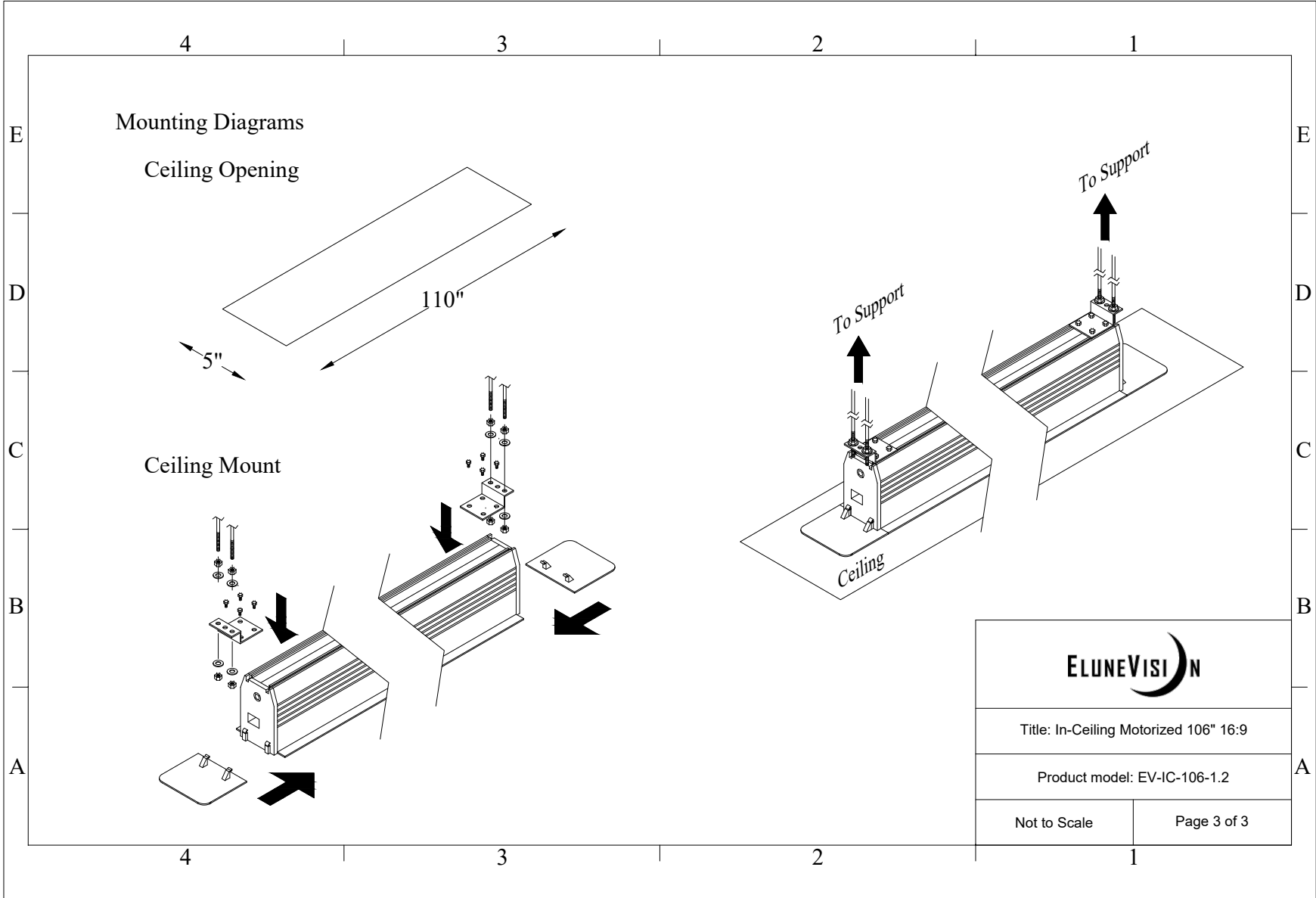


Title: In-Ceiling Motorized 106" 16:9

Product model: EV-IC-106-1.2

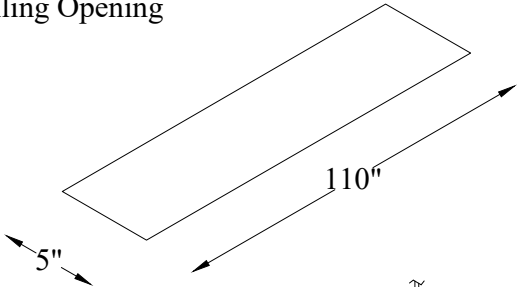
Scale: 10:1

Page 2 of 3

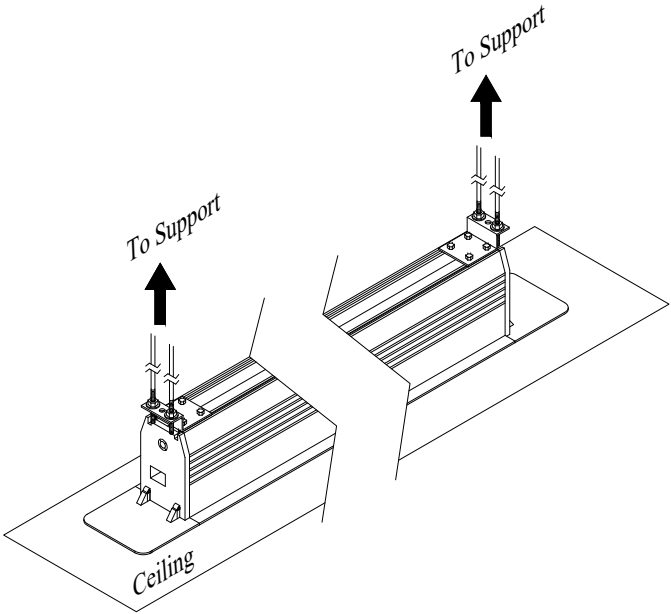
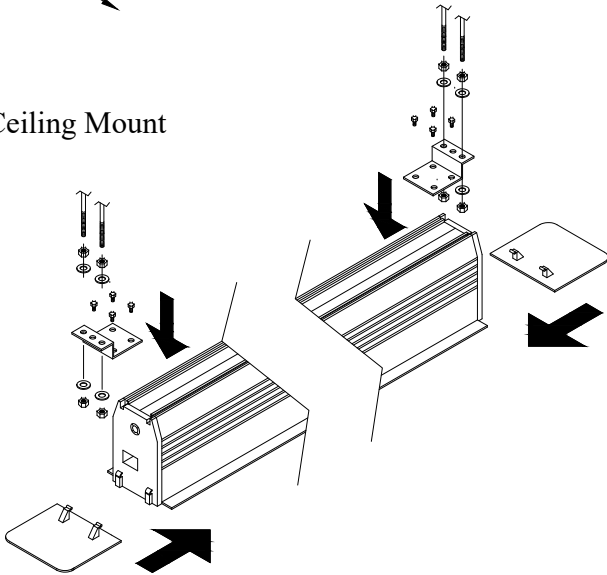


Mounting Diagrams

Ceiling Opening



Ceiling Mount



Title: In-Ceiling Motorized 106" 16:9

Product model: EV-IC-106-1.2

Not to Scale

Page 3 of 3