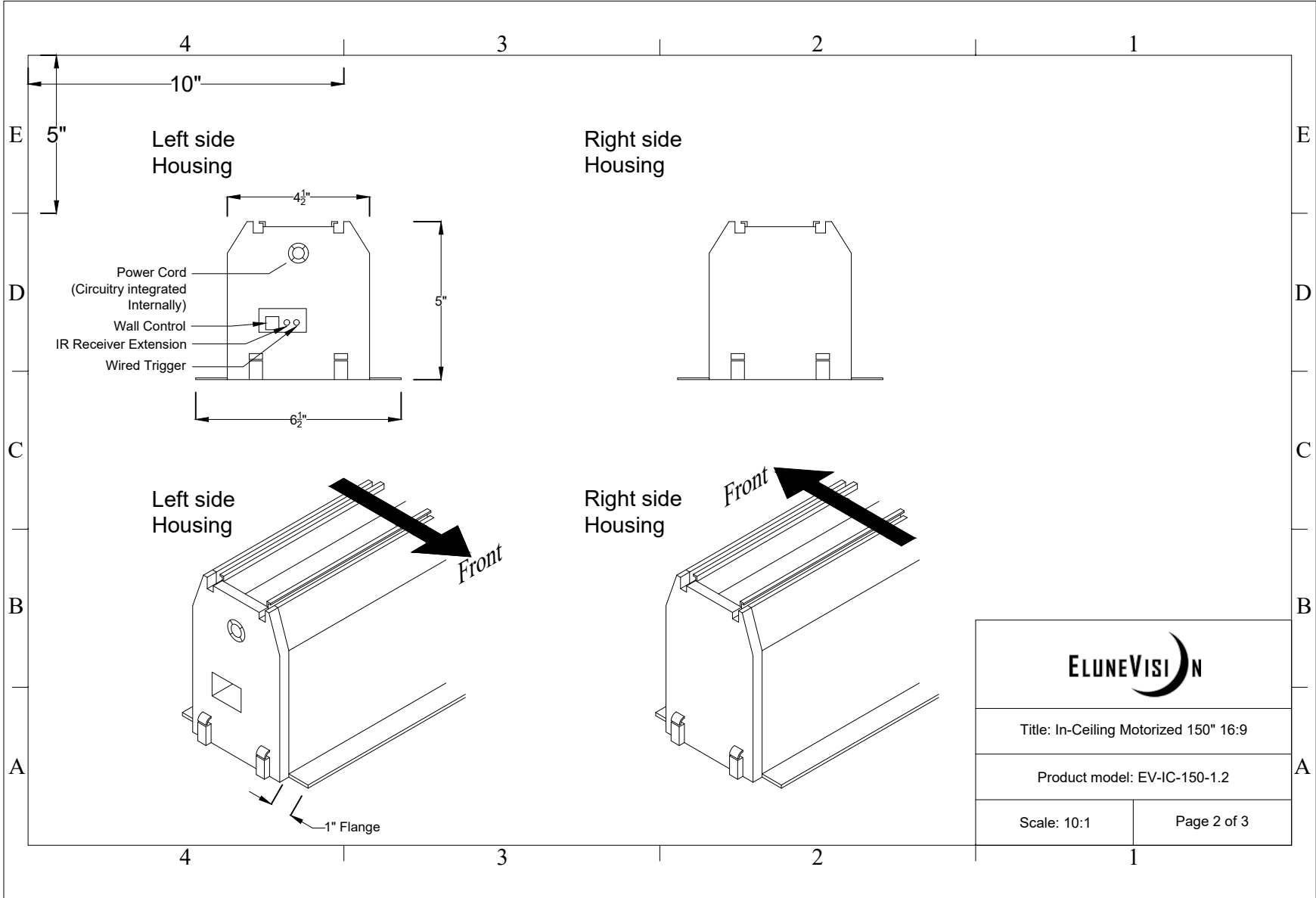
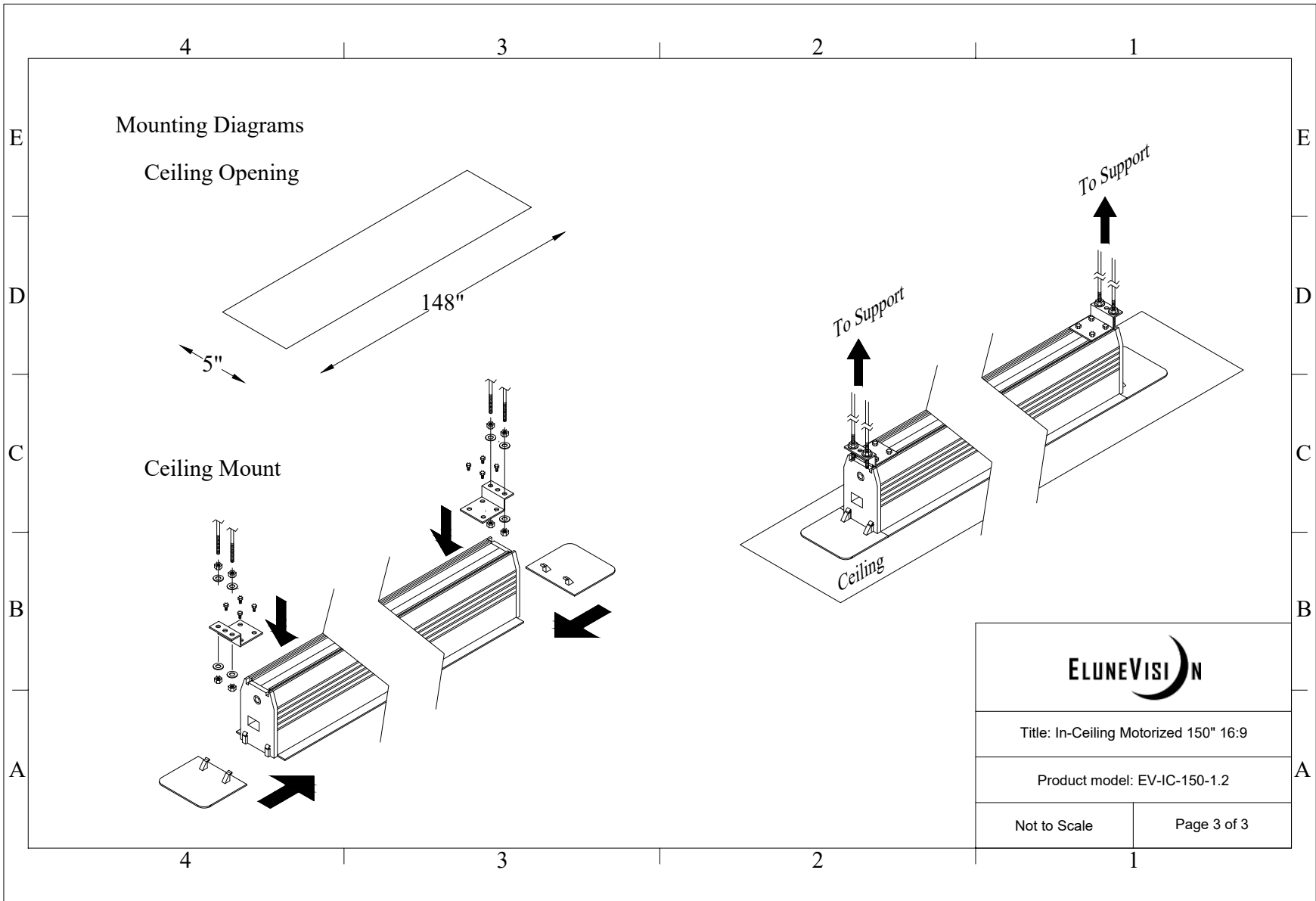


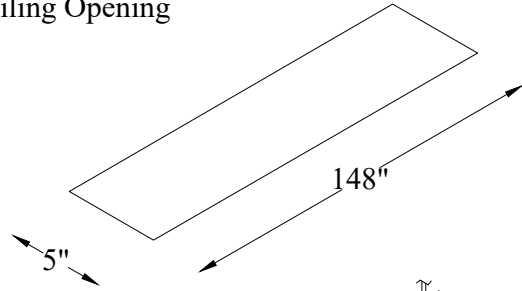
ELUNEVISION	
Title: In-Ceiling Motorized 150" 16:9	
Product model: EV-IC-150-1.2	
Scale: 1:1	Page 1 of 3



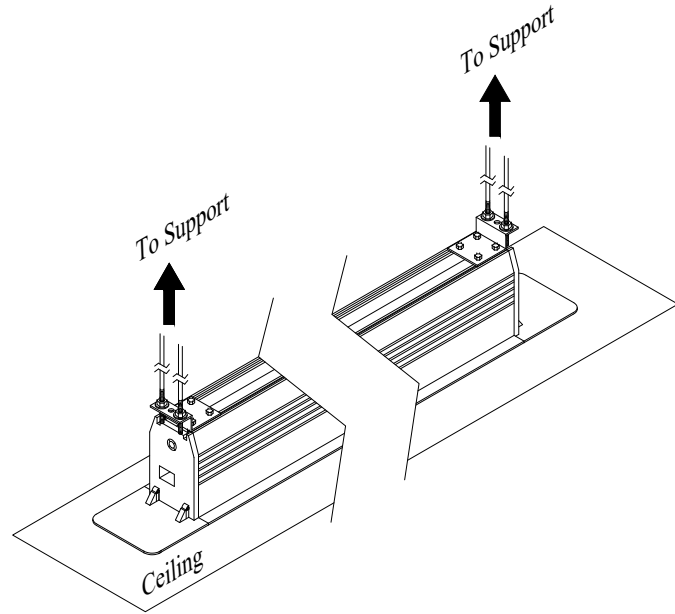
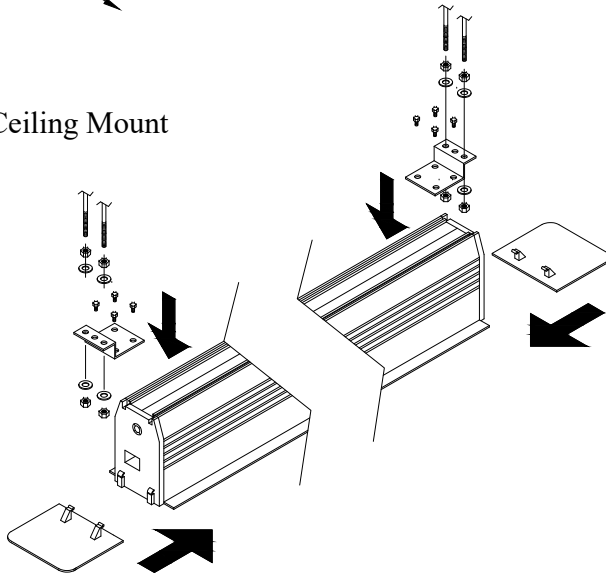


Mounting Diagrams

Ceiling Opening



Ceiling Mount



Title: In-Ceiling Motorized 150" 16:9

Product model: EV-IC-150-1.2

Not to Scale

Page 3 of 3