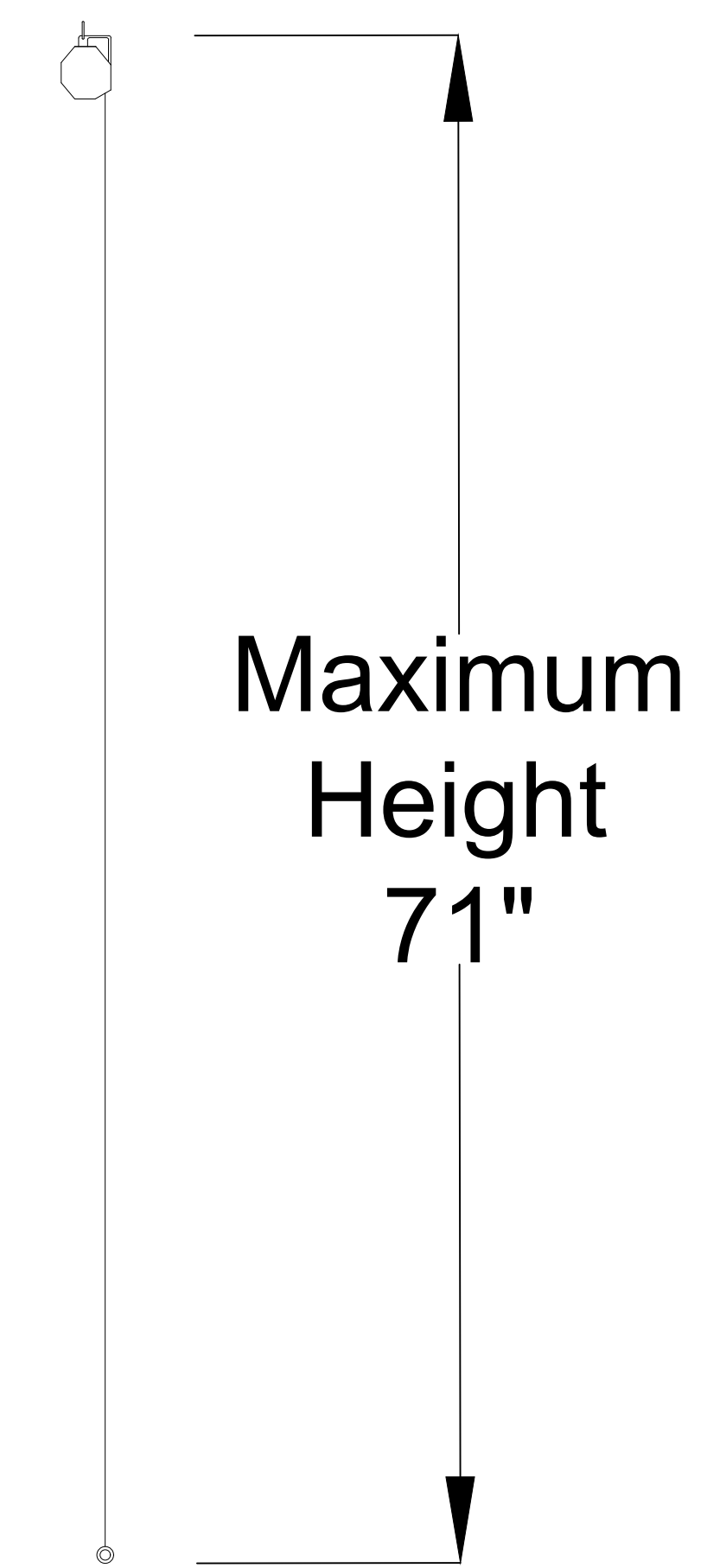
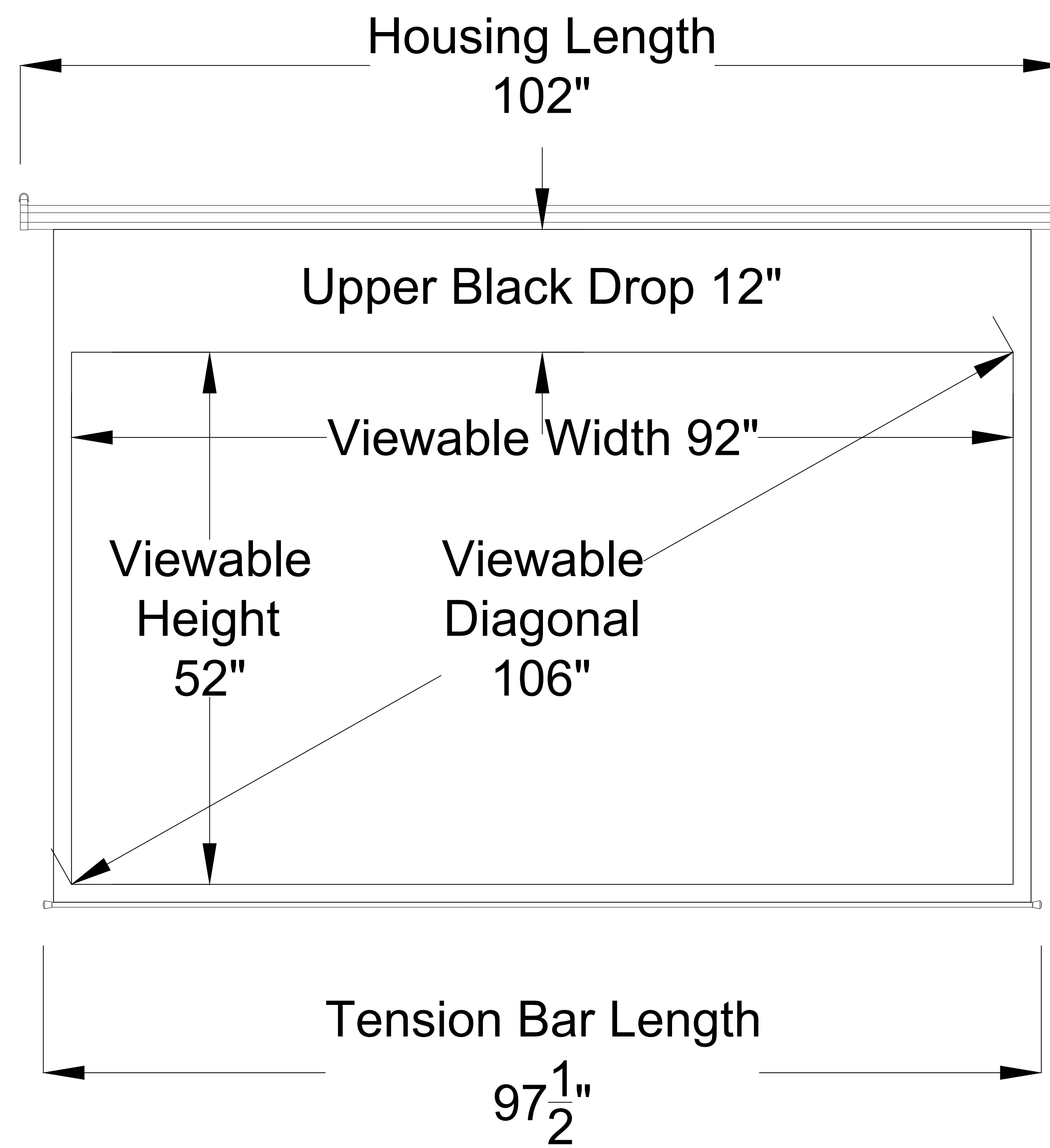
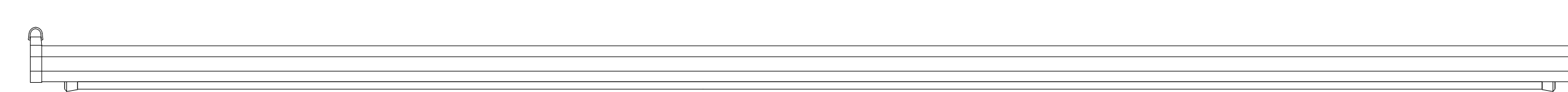


## Extended View



## Retracted View



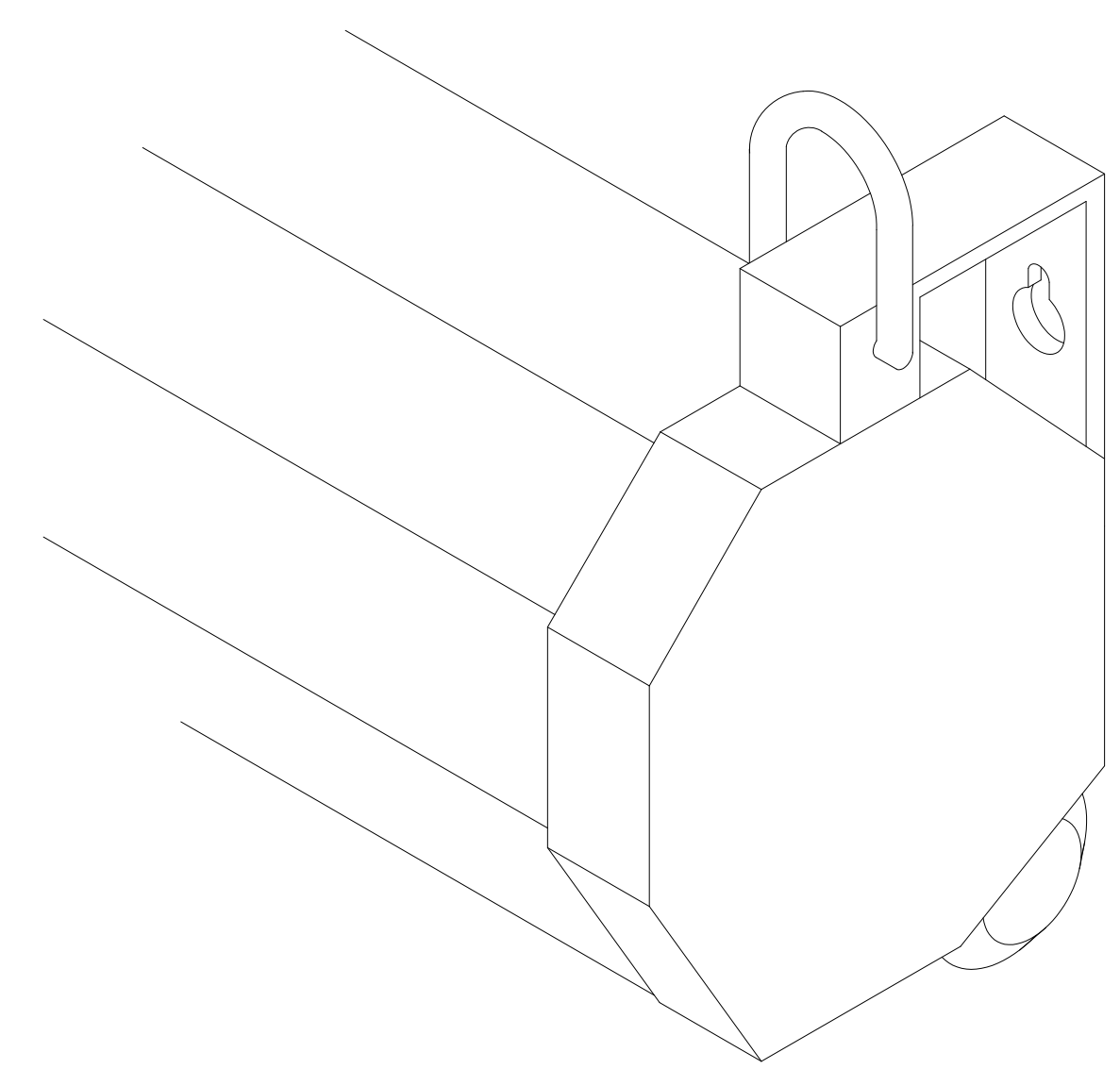
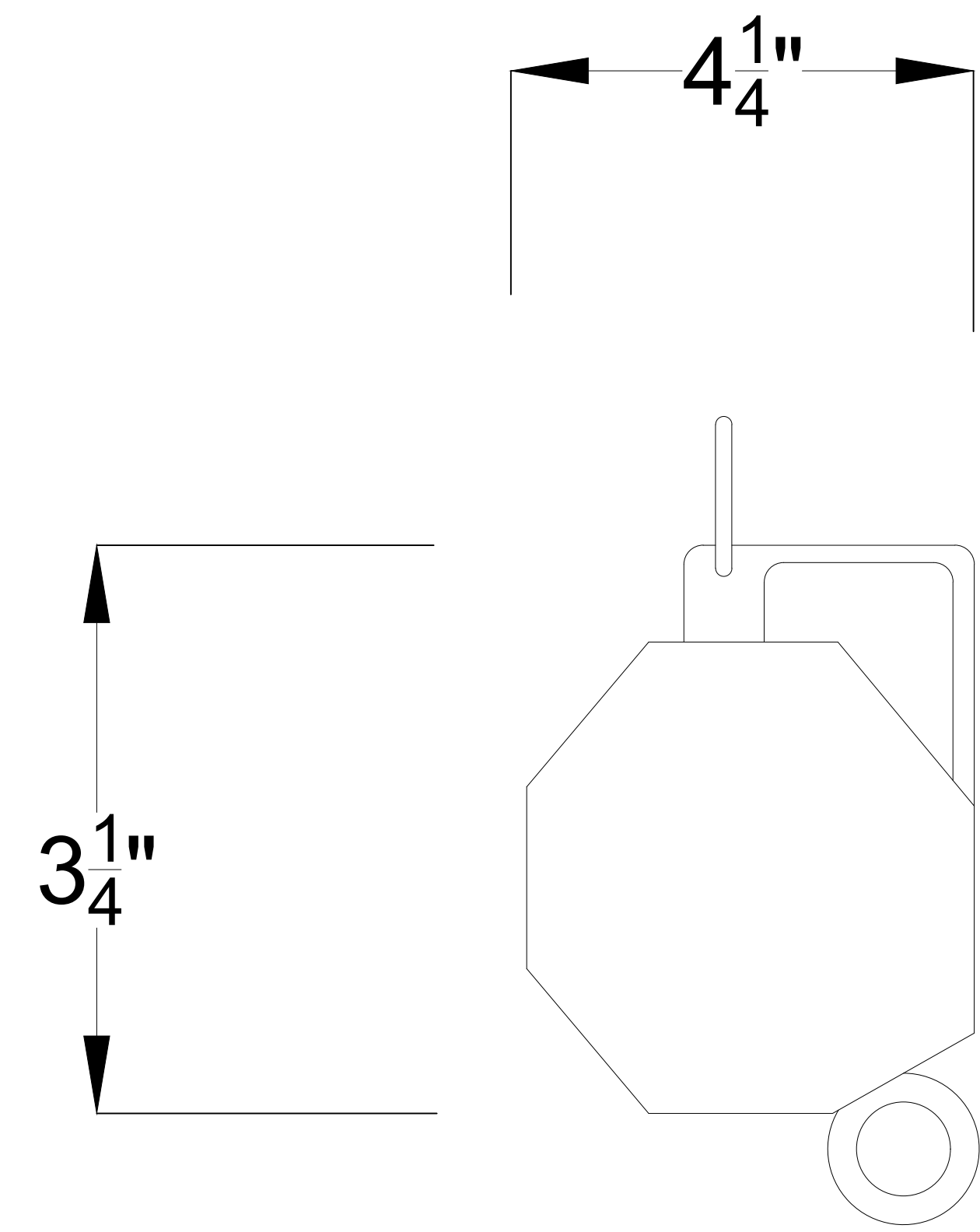
Title: Juno Motorized Projection  
Screen 106" 16:9

Product Model: EV-J-106-1.0

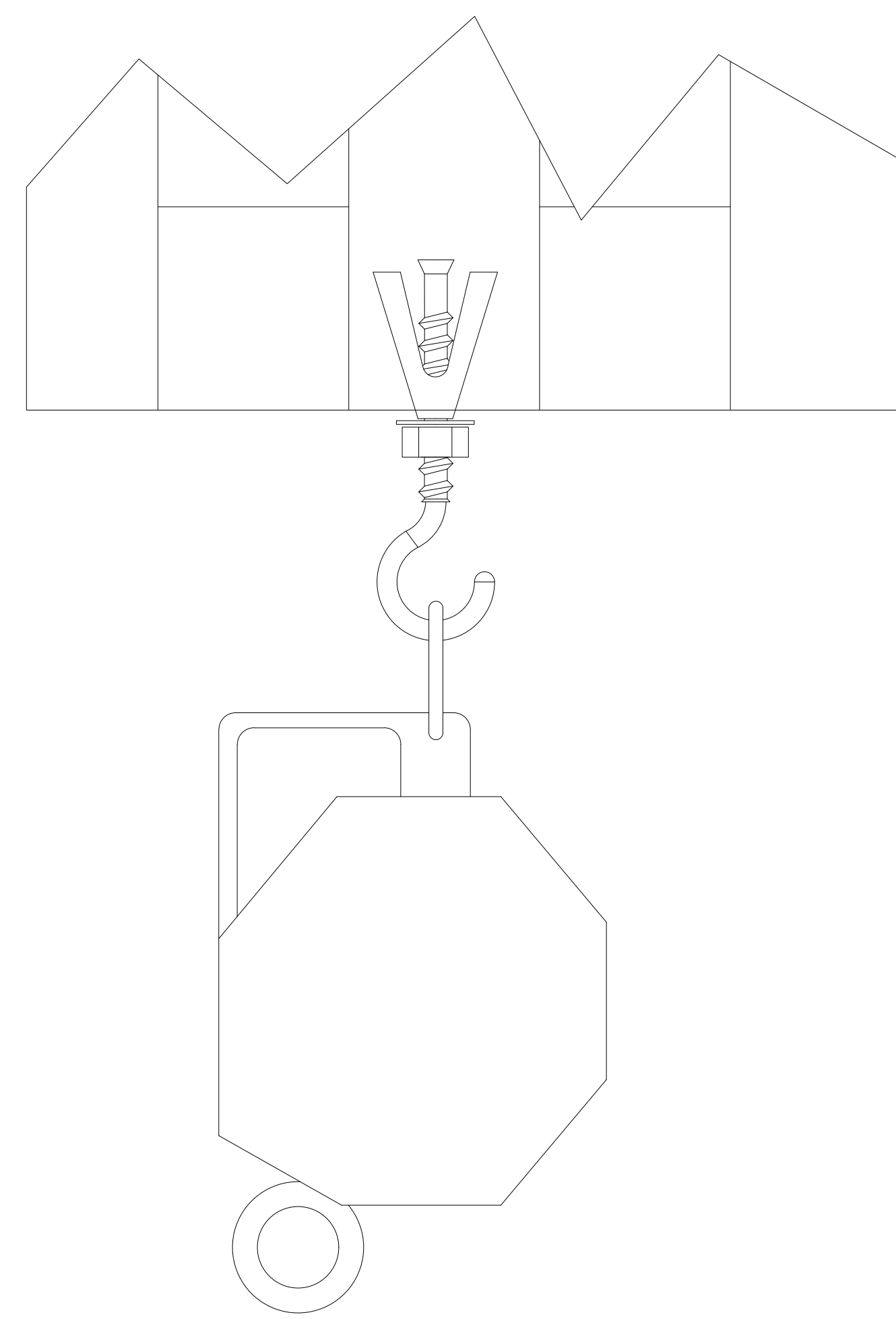
Scale 1:1

Page 1 of 2

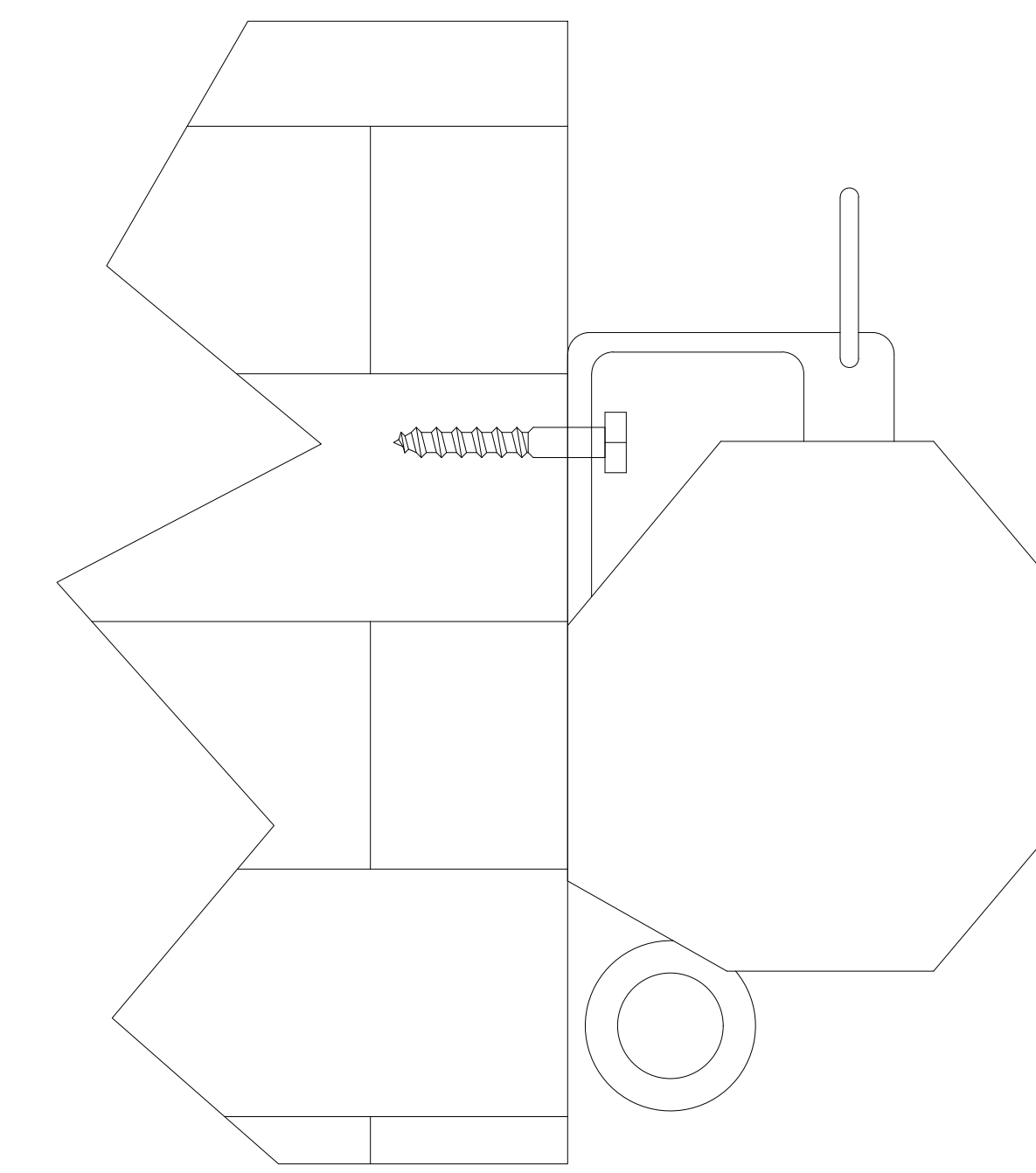
### Detailed Side View



### Mounting Methods



Ceiling Mounting



Wall Mounting



Title: Juno Motorized Projection  
Screen 106" 16:9

Product Model: EV-J-106-1.0

not to scale

Page 2 of 2