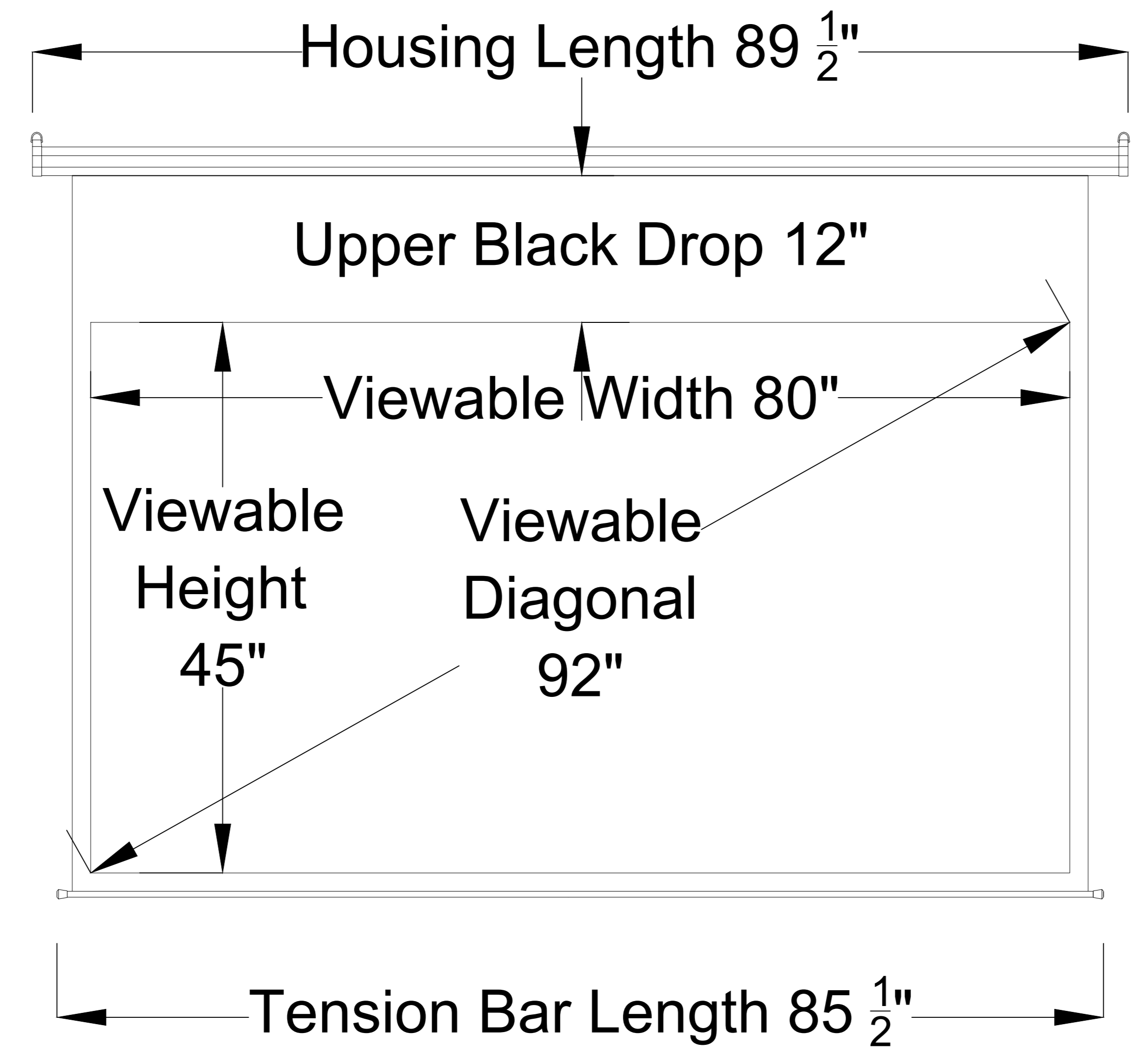
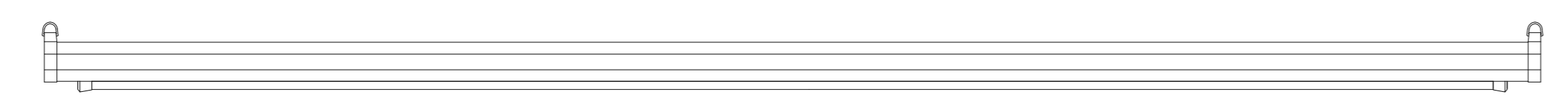


Extended View



Retracted View



Title: Juno Motorized Projection
Screen 92" 16:9

Product Model: EV-J-92-1.0

not to scale

Page 1 of 2

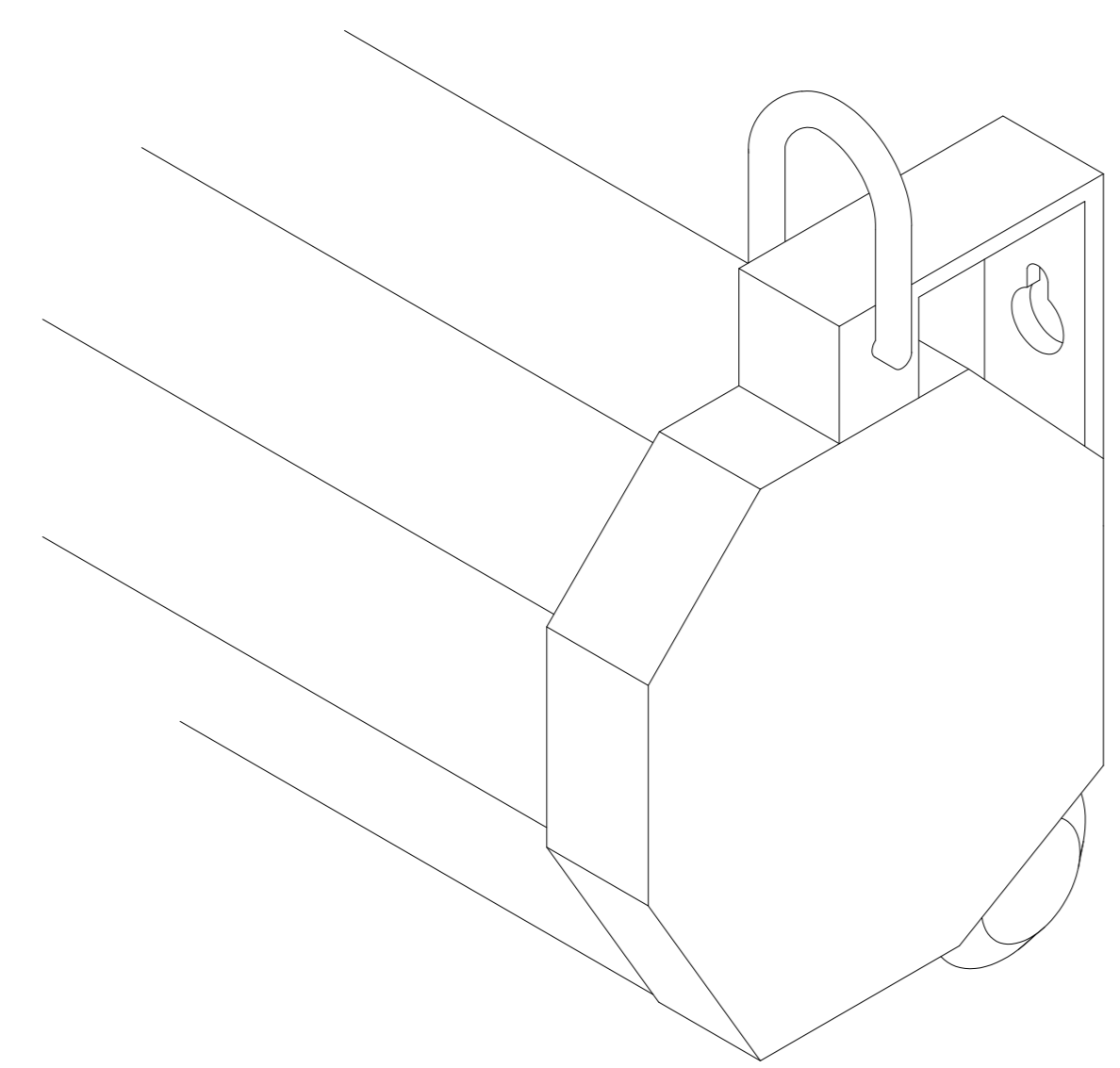
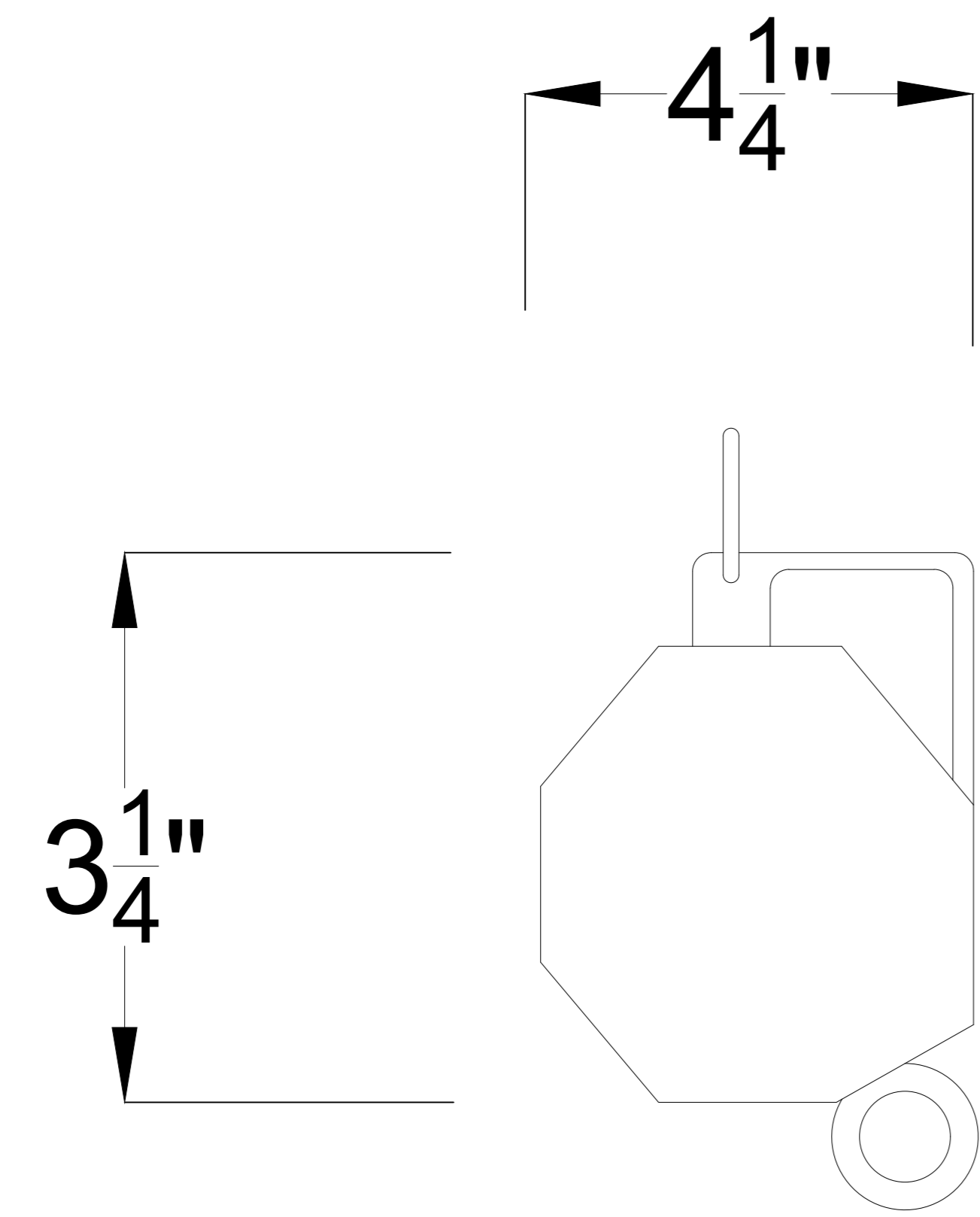
5 4 3 2 1

C
B
A

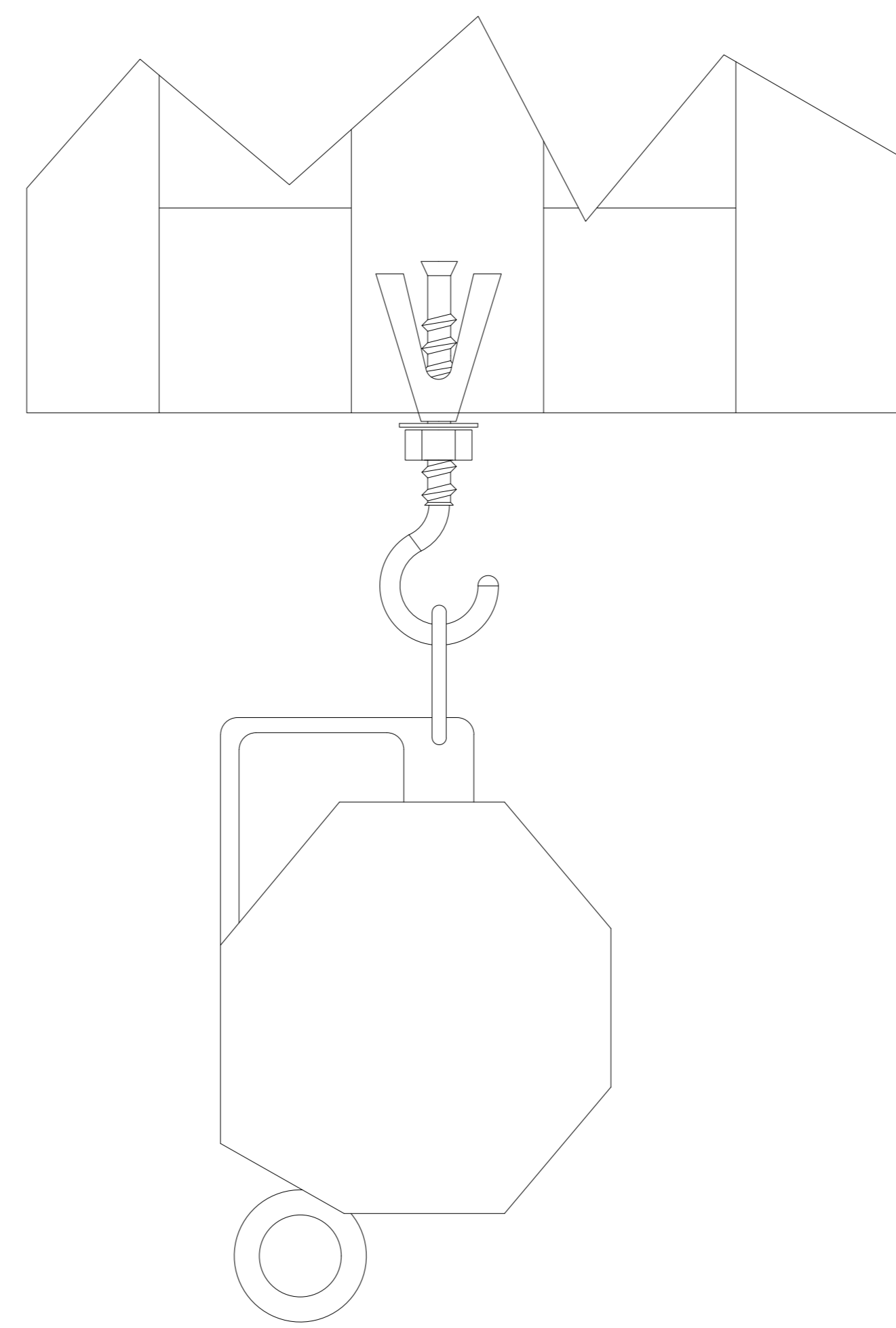
C
B
A

5 4 3 2 1

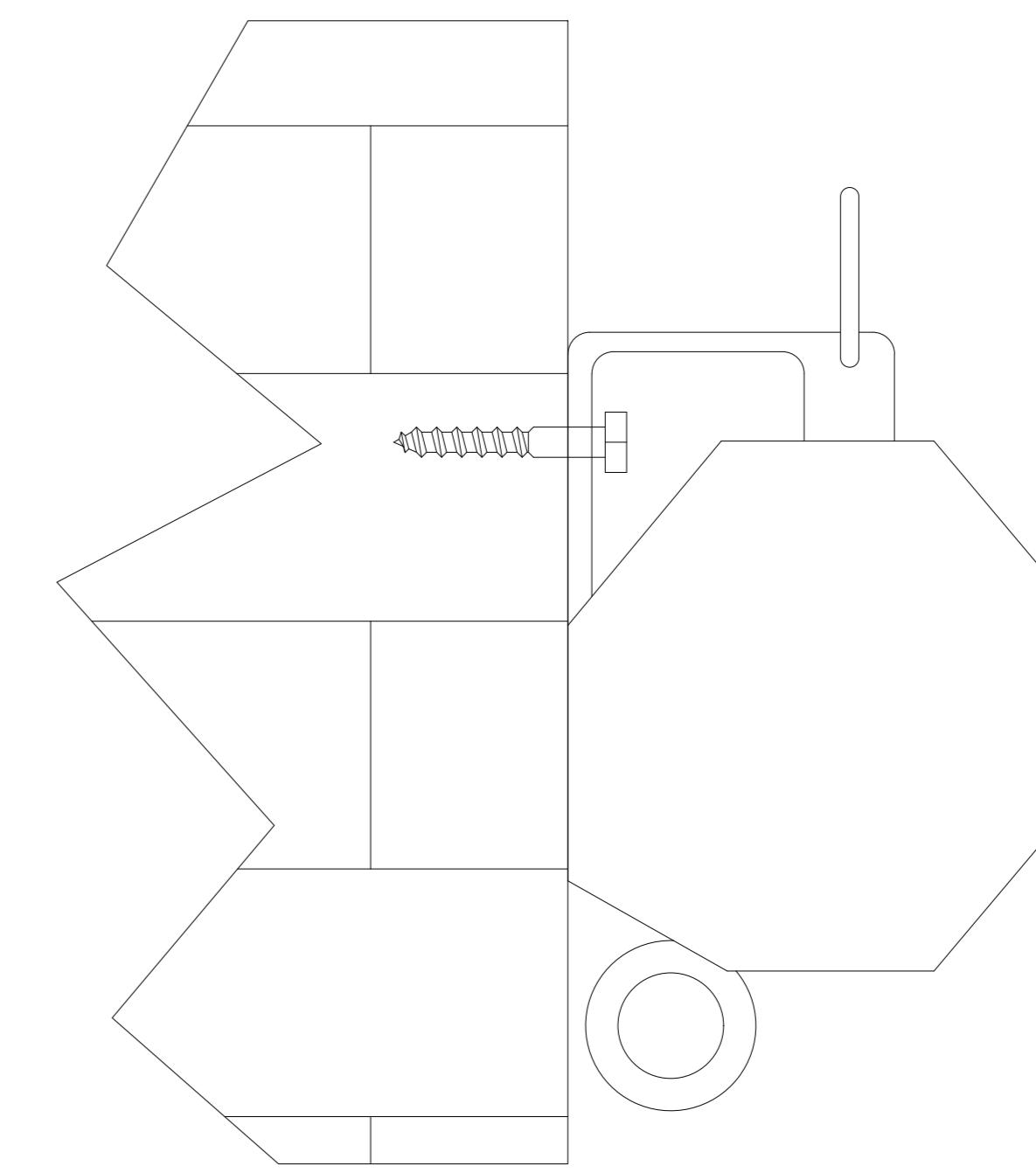
Detailed Side View



Mounting Methods



Ceiling Mounting



Wall Mounting



Title: Juno Motorized Projection
Screen 92" 16:9

Product Model: EV-J-92-1.0

not to scale

Page 2 of 2