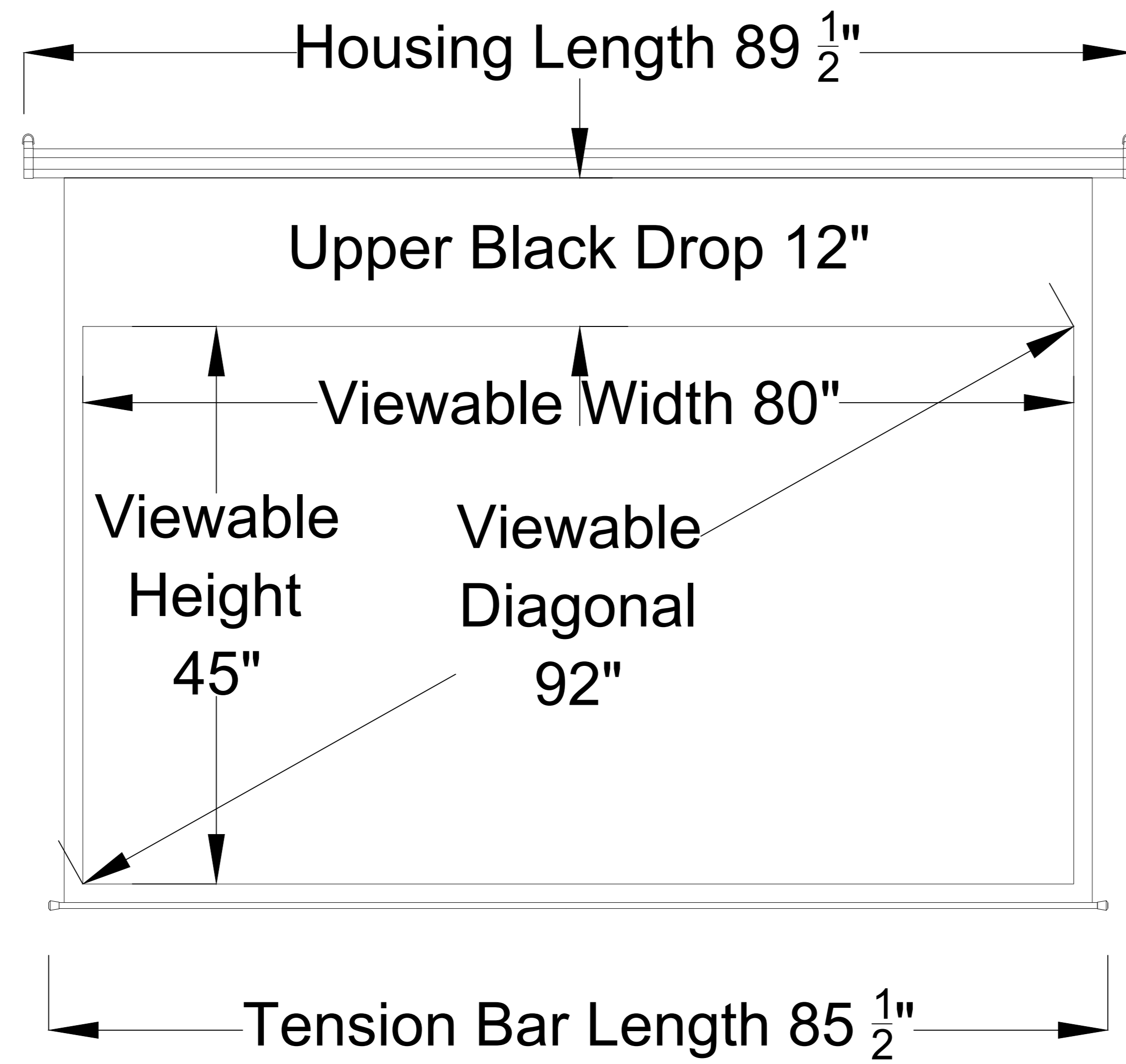
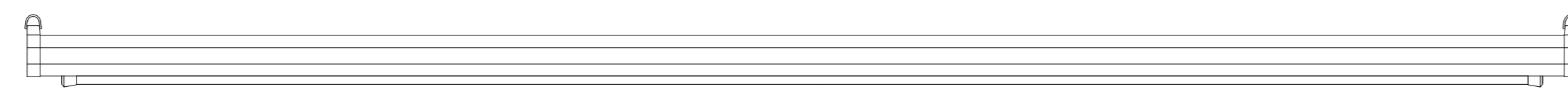


Extended View



Retracted View



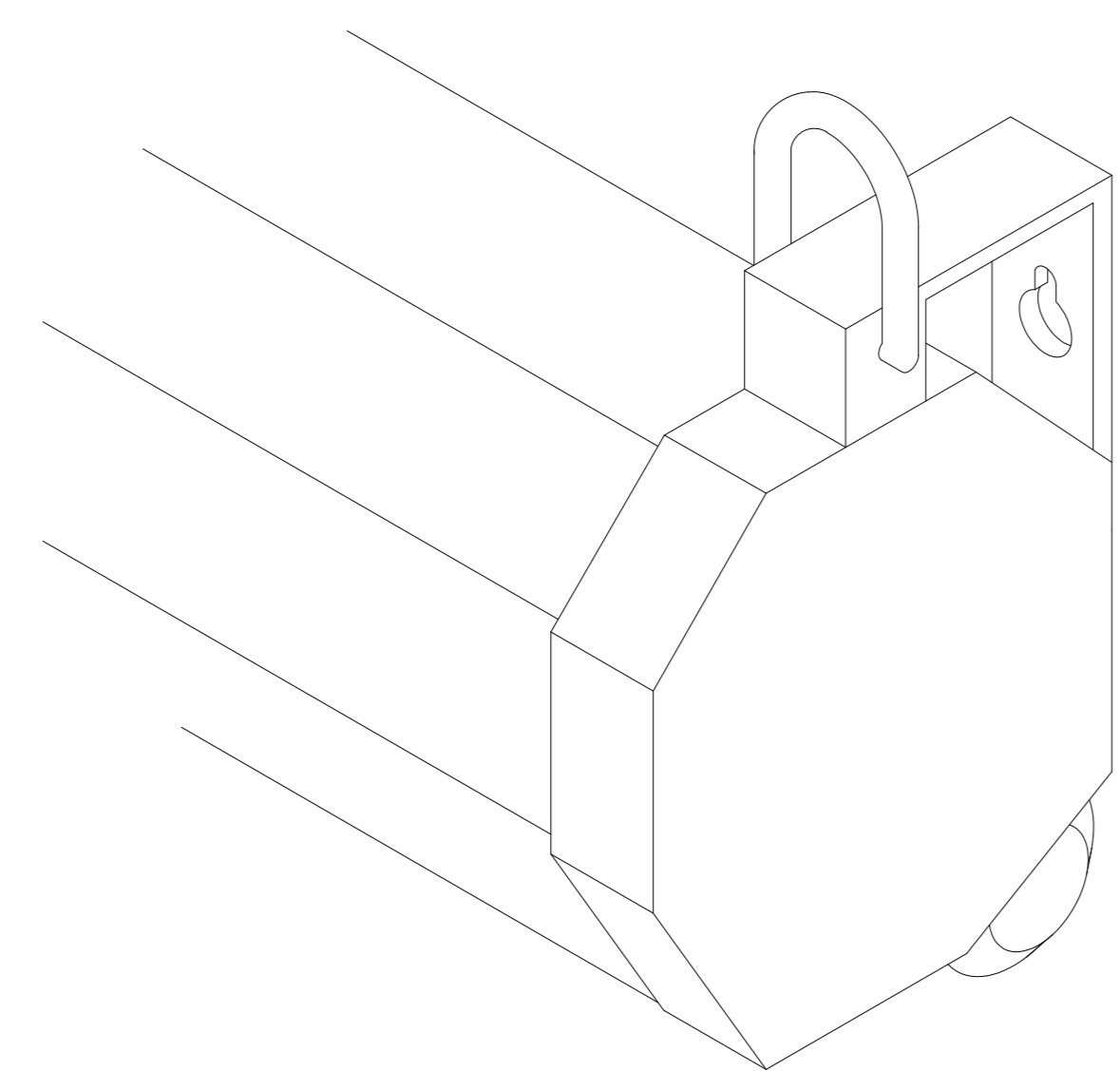
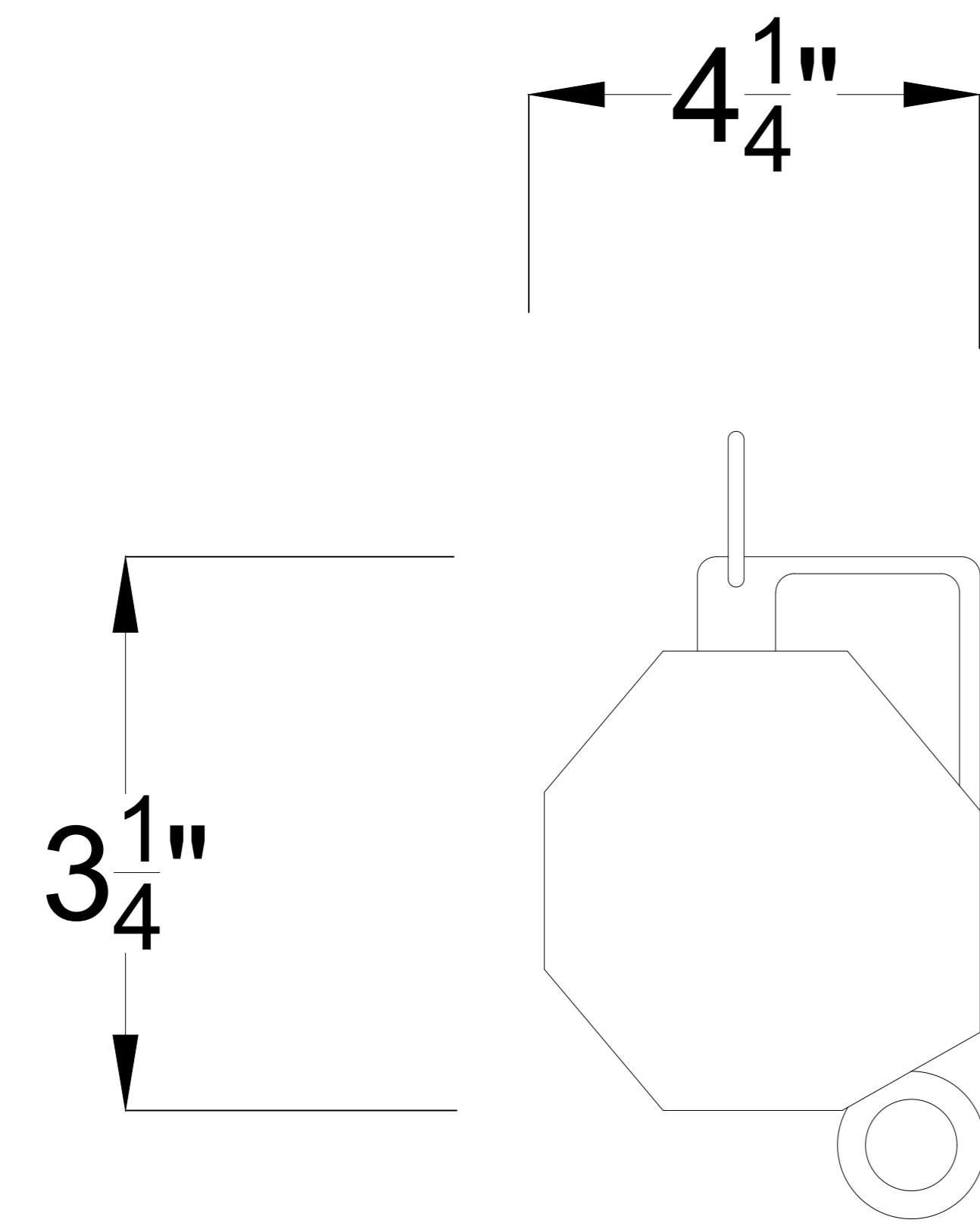
Title: Juno Motorized Projection
Screen 92" 16:9

Product Model: EV-J-92-1.0

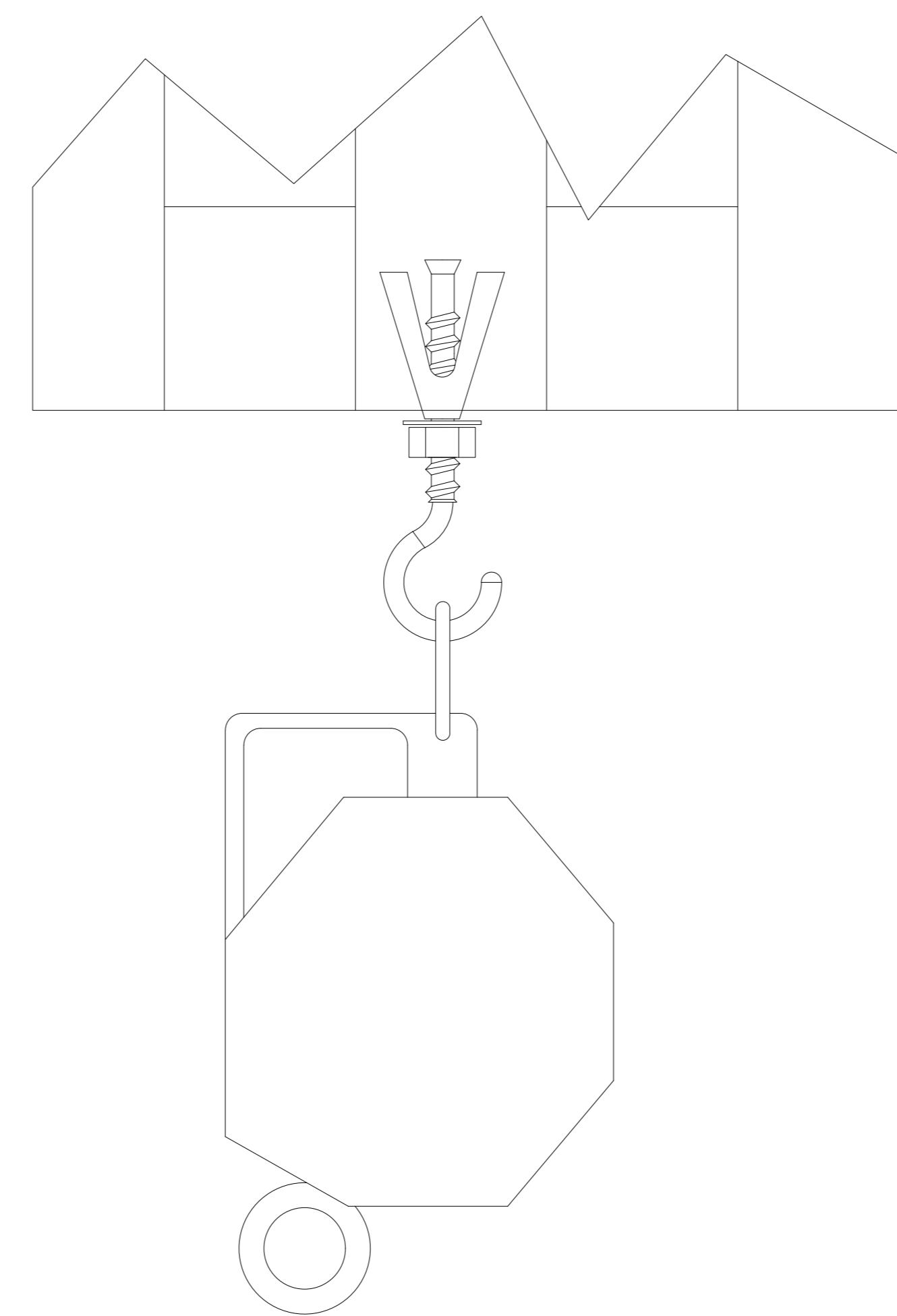
not to scale

Page 1 of 2

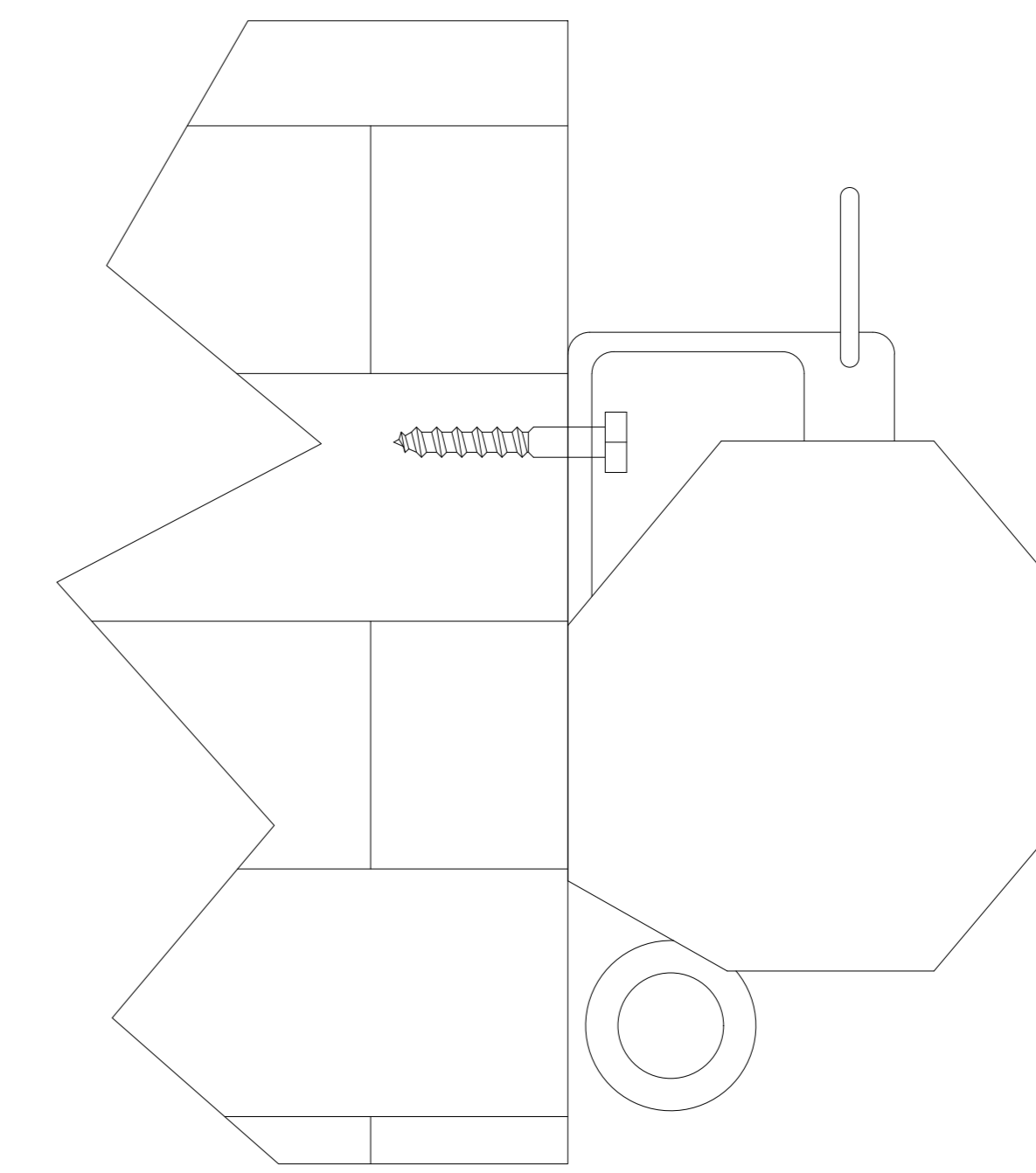
Detailed Side View



Mounting Methods



Ceiling Mounting



Wall Mounting



Title: Juno Motorized Projection
Screen 92" 16:9

Product Model: EV-J-92-1.0

not to scale

Page 2 of 2