

**Extended View**

**Retracted View**

Housing Length  
 $184 \frac{7}{8}$ "

Maximum Upper Black Drop  
 $39 \frac{3}{8}$ "

Viewable Length  
174"

Viewable Height  
 $97 \frac{7}{8}$ "

Viewable Diagonal  
200"

Bottom Black Framing  
2"

Left and Right Black Framing  
2"

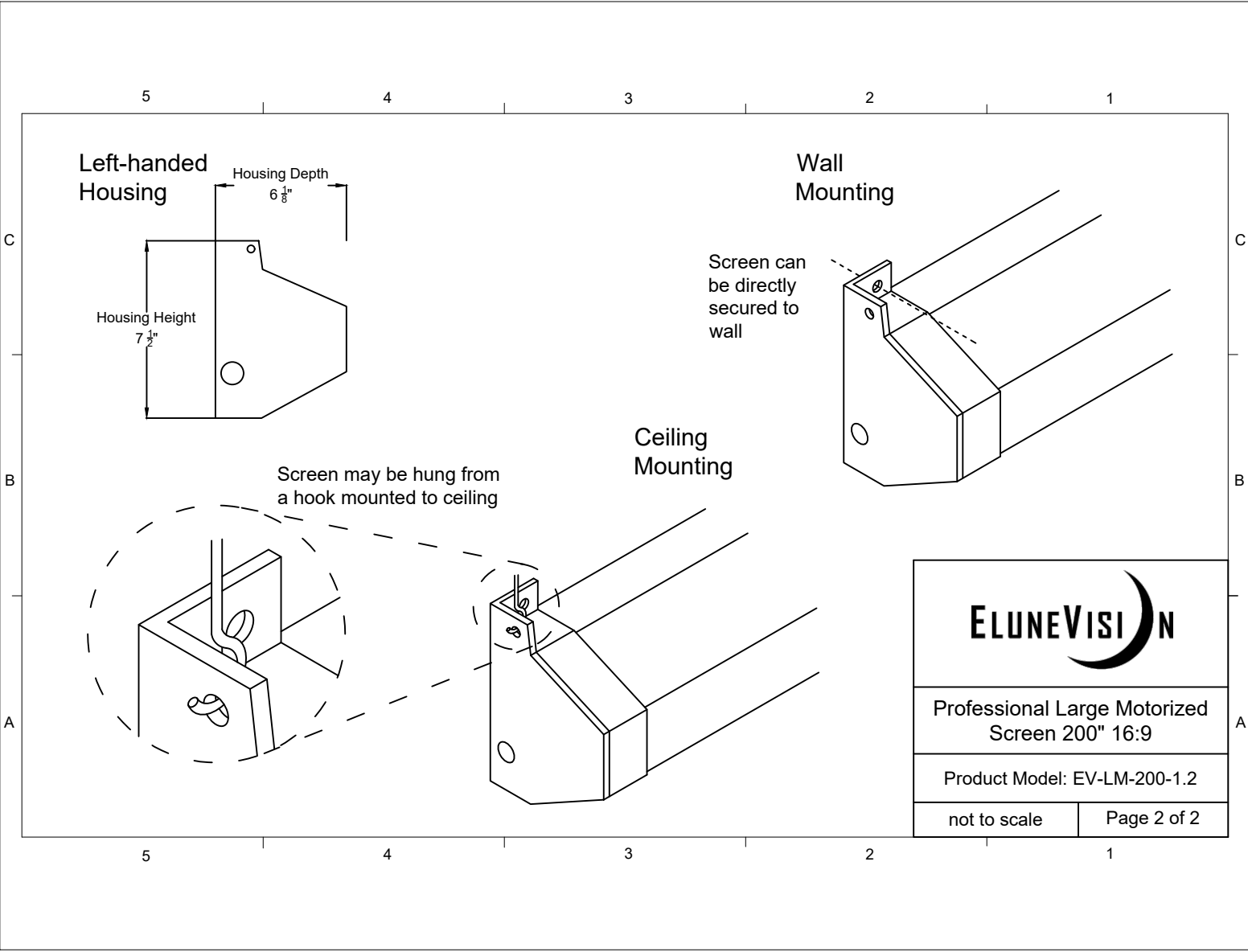
Maximum Height  
 $147 \frac{1}{2}$ "

**ELUNEVISION**

Professional Large Motorized Screen 200" 16:9

Product Model: EV-LM-200-1.2

not to scale	Page 1 of 2
--------------	-------------



Professional Large Motorized  
Screen 200" 16:9

Product Model: EV-LM-200-1.2

not to scale

Page 2 of 2