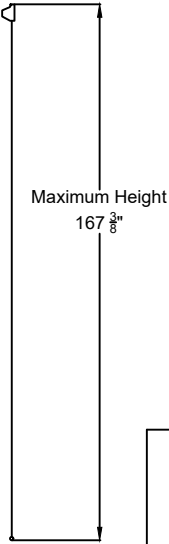
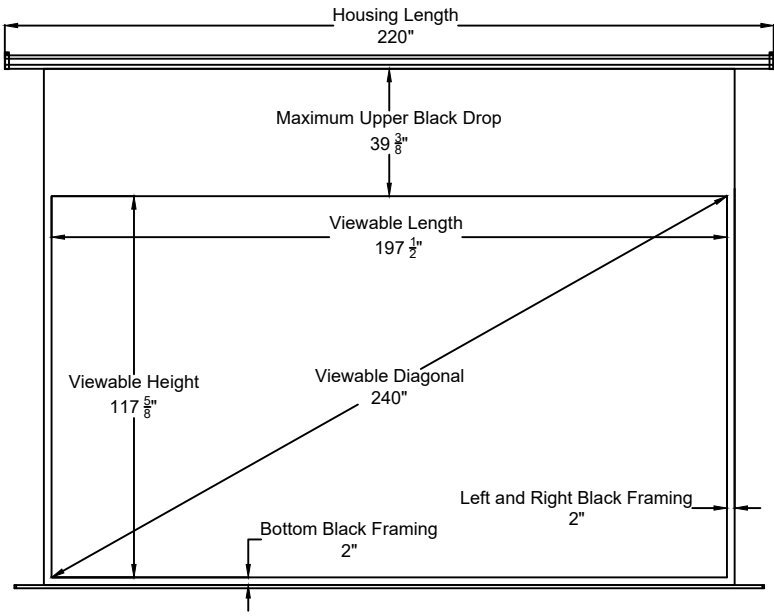
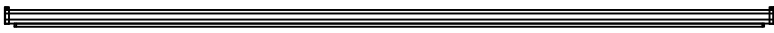


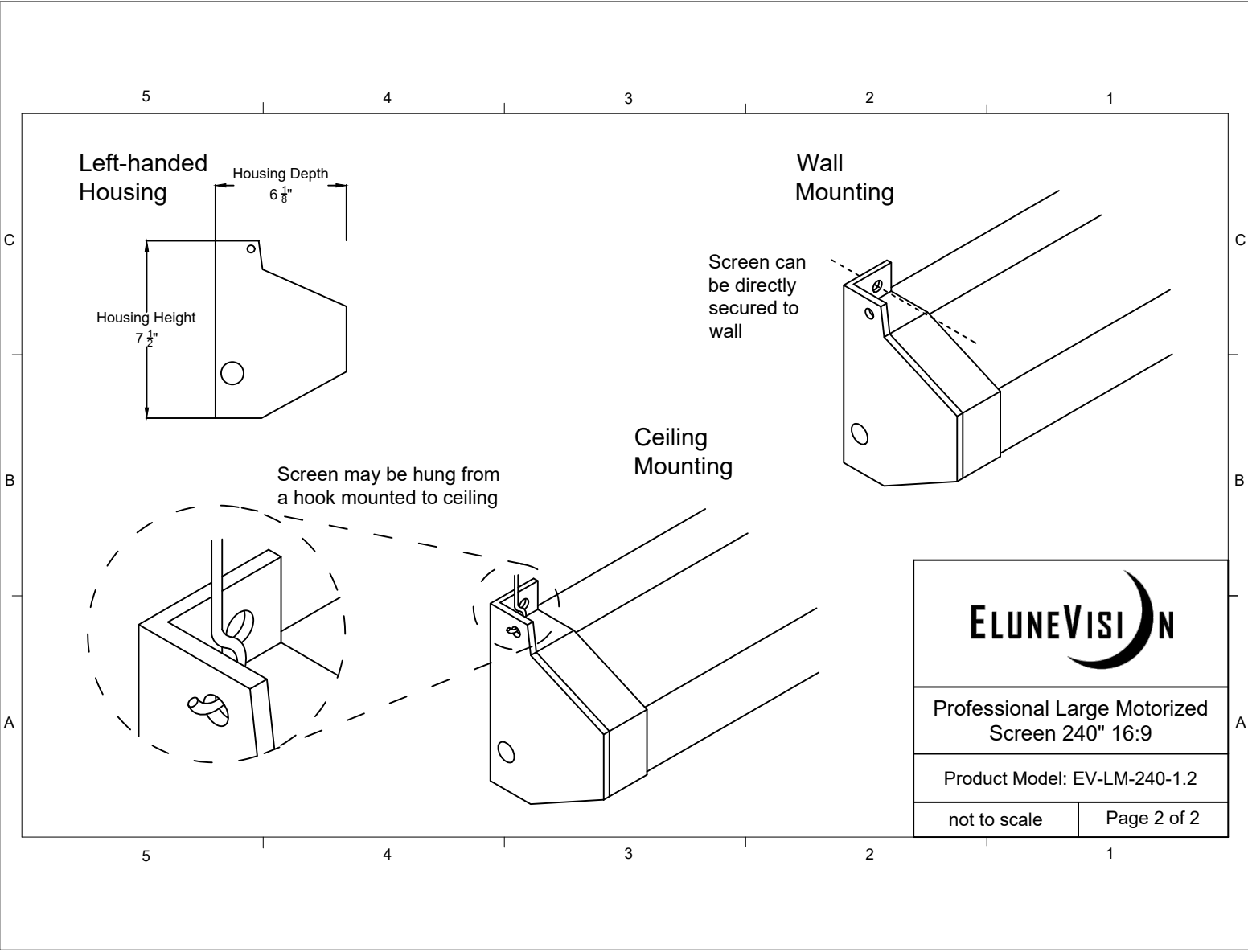
Extended View



Retracted View



Professional Large Motorized Screen 240" 16:9	
Product Model: EV-LM-240-1.2	
not to scale	Page 1 of 2



Professional Large Motorized
Screen 240" 16:9

Product Model: EV-LM-240-1.2

not to scale

Page 2 of 2