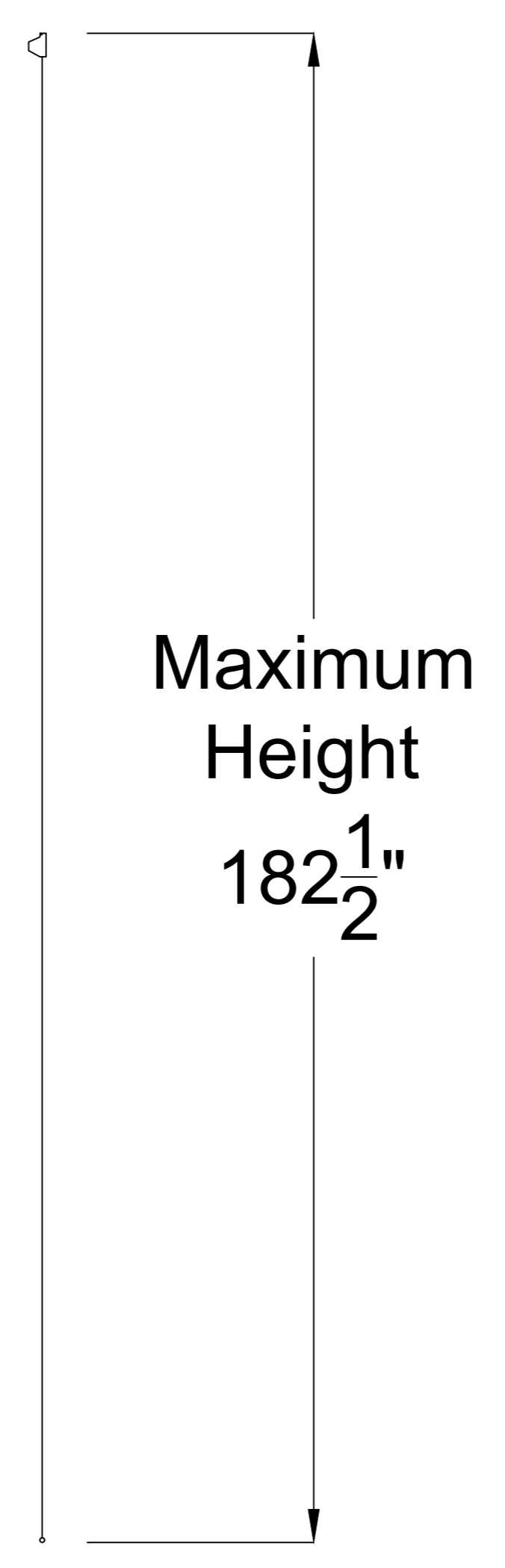
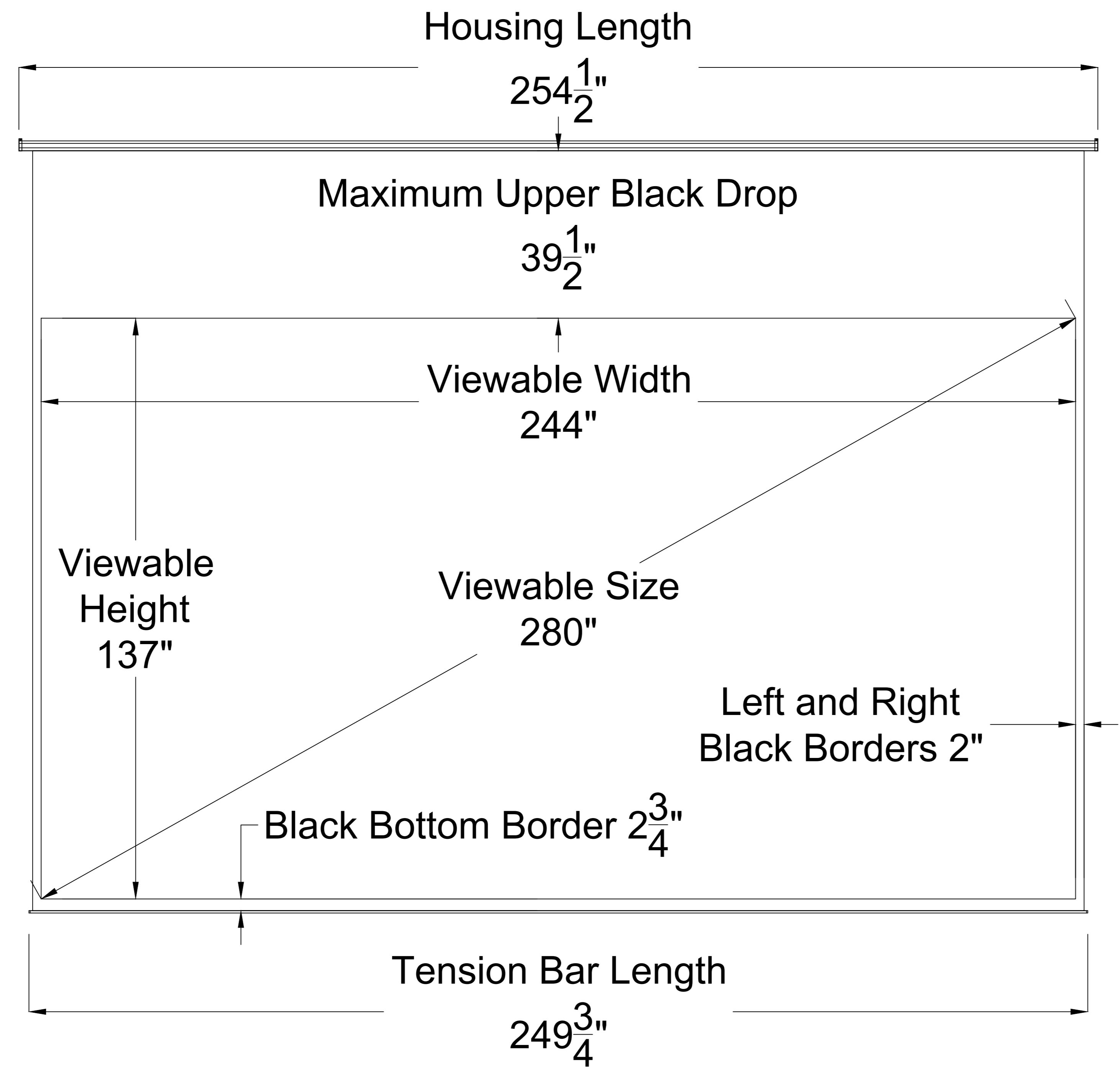



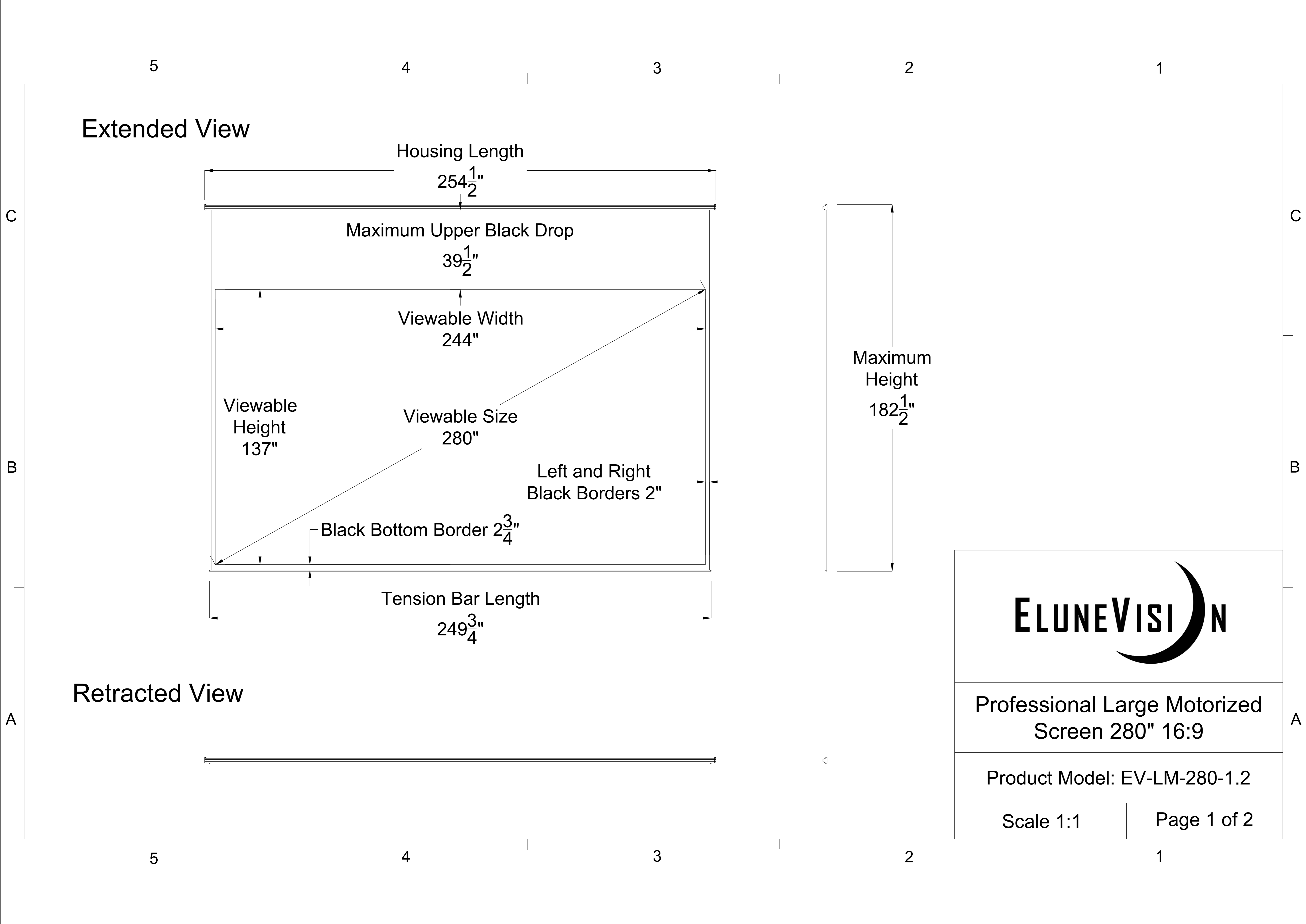
Extended View



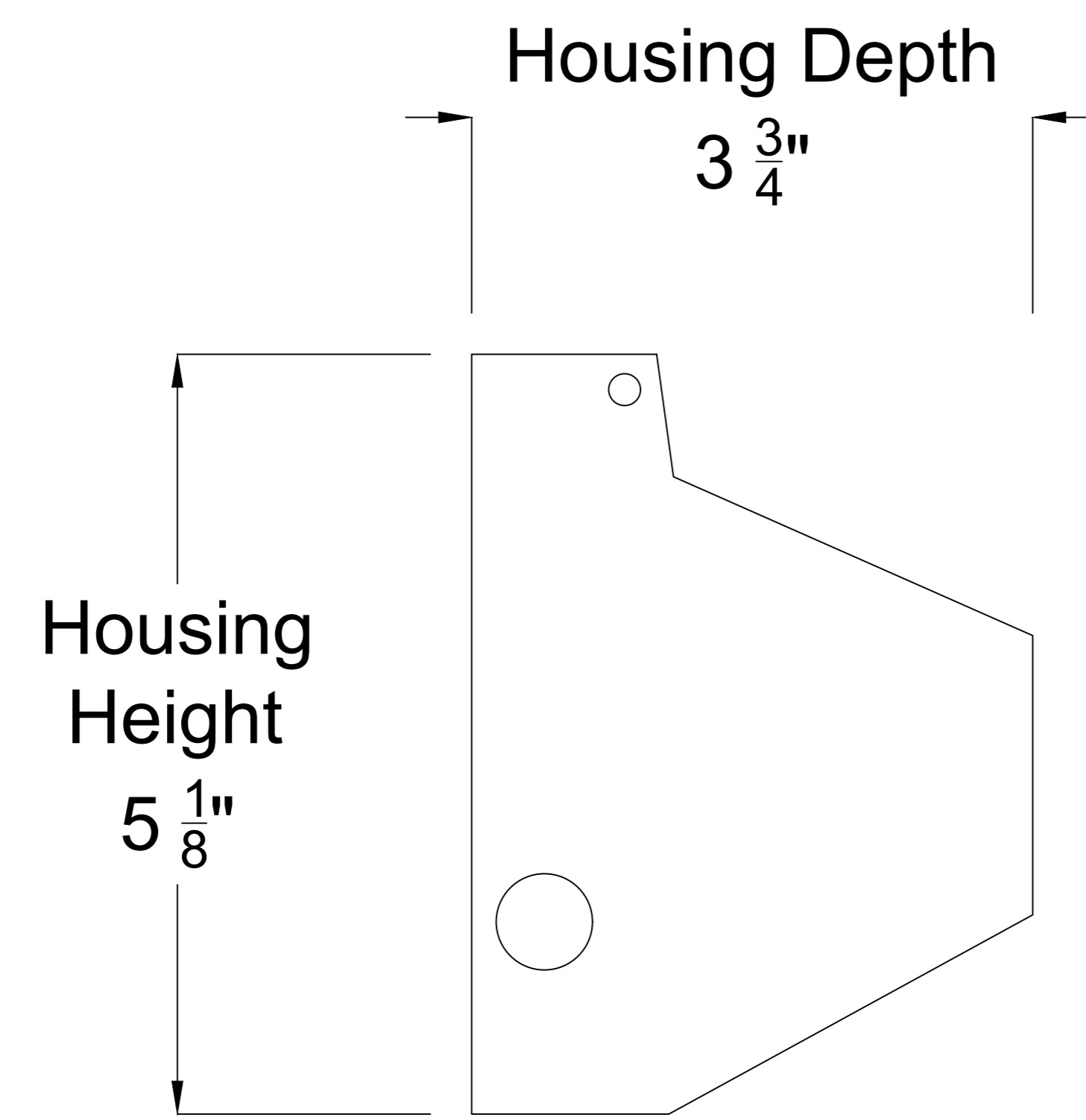
Retracted View



	
Professional Large Motorized Screen 280" 16:9	
Product Model: EV-LM-280-1.2	
Scale 1:1	Page 1 of 2

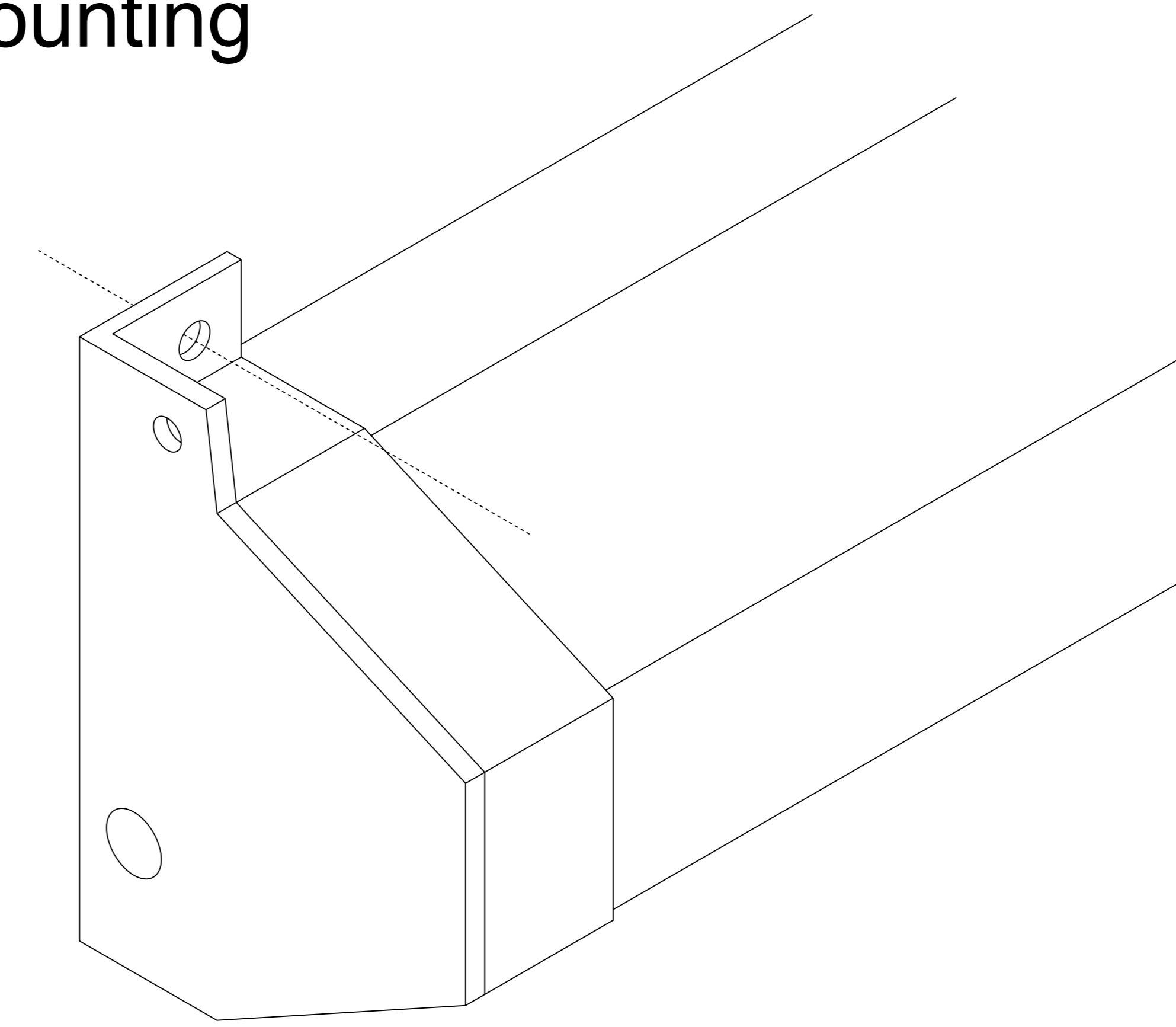


Left-handed Housing



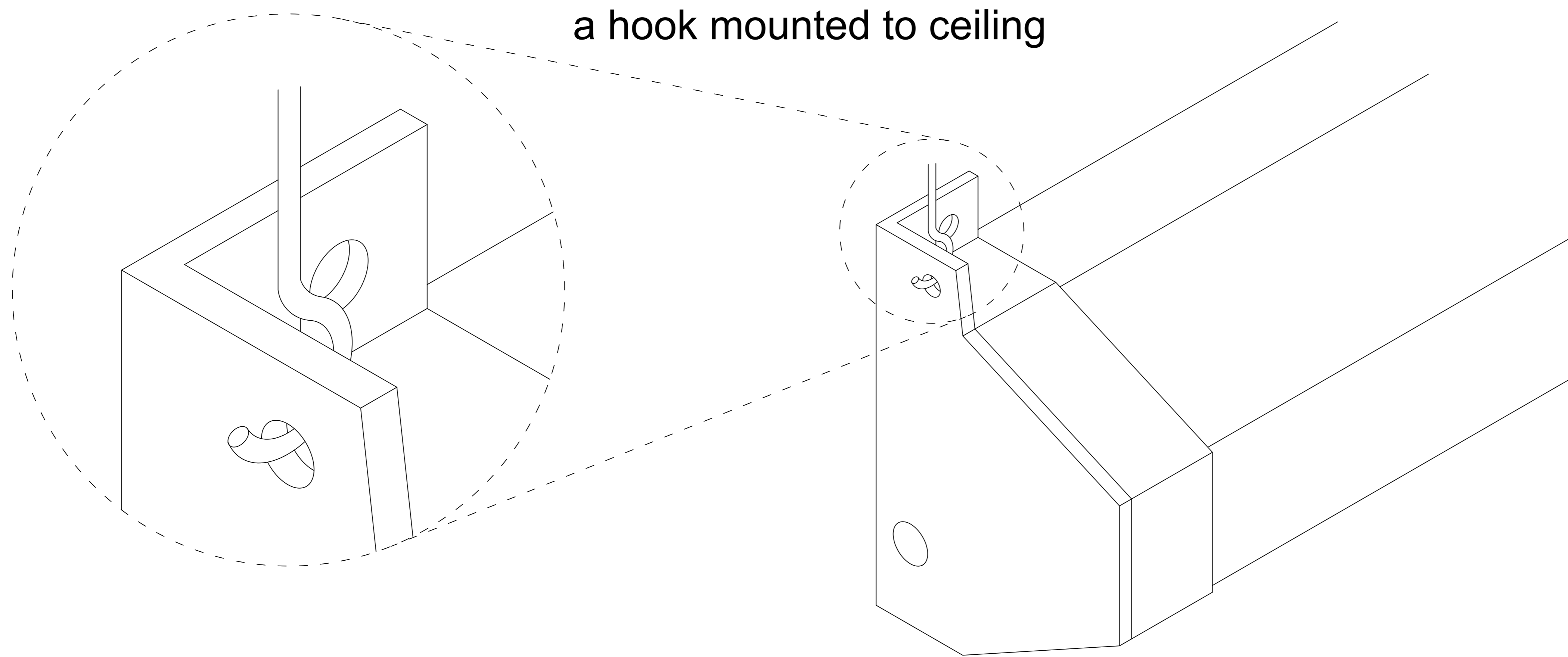
Wall Mounting

Screen can be directly secured to wall



Ceiling Mounting

Screen may be hung from a hook mounted to ceiling



Professional Large Motorized
Screen 280" 16:9

Product Model: EV-LM-280-1.2

not to scale

Page 2 of 2