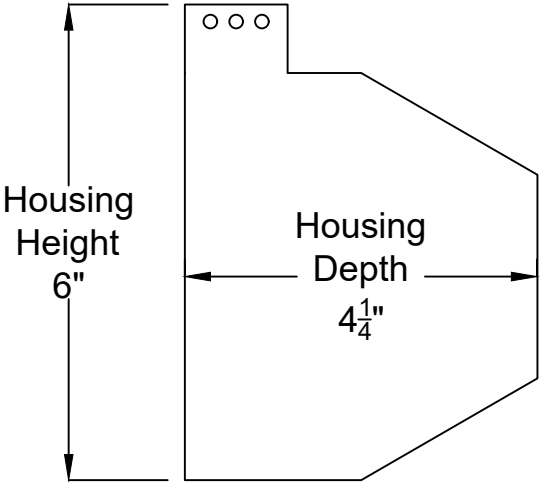


Hermes Motorized Tab Tensioned  
Screen 165" 16:10

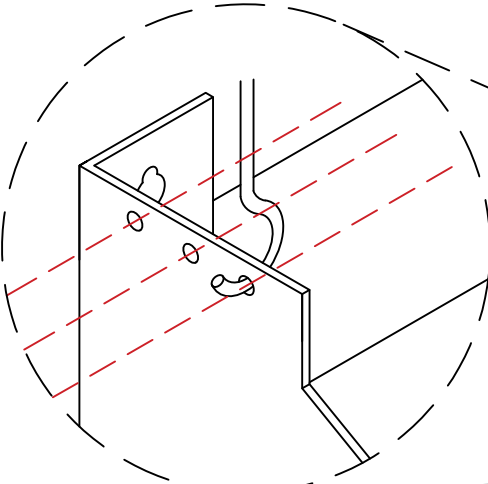
Product Model: EV-LT-165-1.2-1610

not to scale	Page 1 of 2
--------------	-------------

# Left-Handed Housing



Screen can be directly mounted to the wall



# Ceiling Mounting

