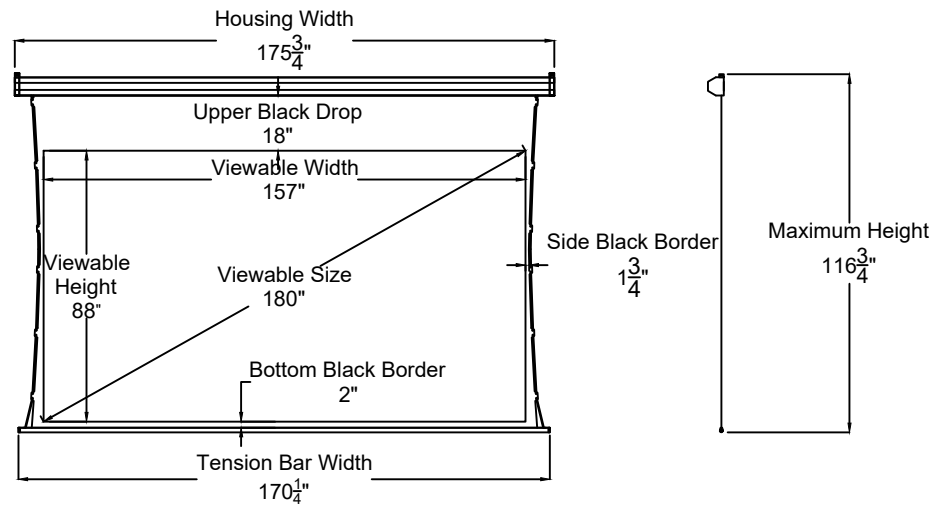
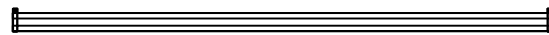


5 4 3 2 1

Extended View



Retracted View



C

B

A

C

B

A

5 4 3 2 1



Hermes Motorized Tab Tensioned  
Screen 180" 16:9

Product Model: EV-LT-180-1.2

not to scale

Page 1 of 2

5

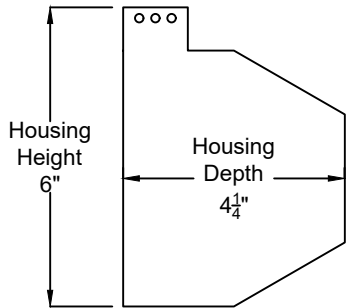
4

3

2

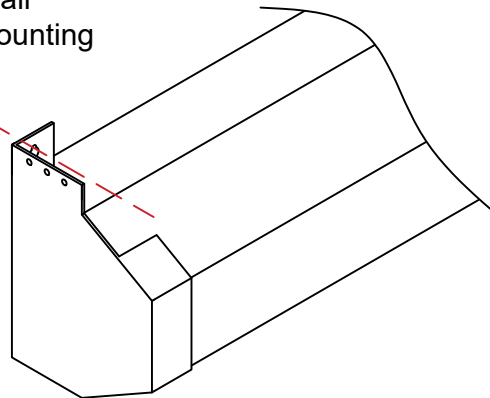
1

### Left-Handed Housing



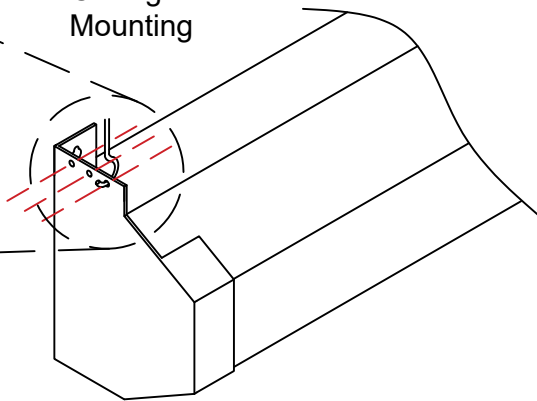
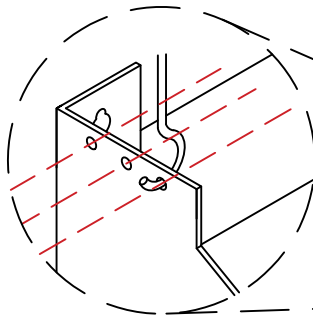
### Wall Mounting

Screen can be directly mounted to the wall



### Ceiling Mounting

Screen may be hung from a hook mounted to the ceiling



Hermes Motorized Tab Tensioned  
Screen 180" 16:9

Product Model: EV-LT-180-1.2

not to scale

Page 2 of 2

5

4

3

2

1