

Front View

Side View

Housing Length  
81"

Maximum Upper  
Black Drop  
17"

Left and Right  
Black Framing  
1 1/2"

Viewable Width  
73"

Viewable Height  
41"

Viewable Diagonal  
84"

Bottom Black Framing  
1 1/2"

Tension Bar Length  
79 1/2"

Maximum  
Height  
62 1/2"

Housing Width  
2 1/2"

Housing Height  
2 1/2"



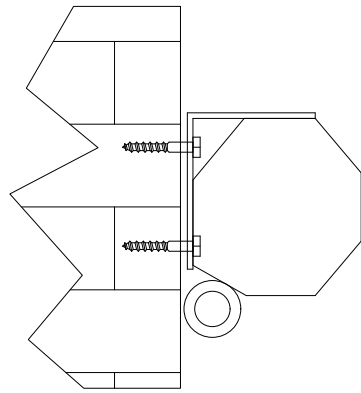
Triton Manual Pull-Down  
Screen 84" 16:9

Product Model: EV-M-84-1.2

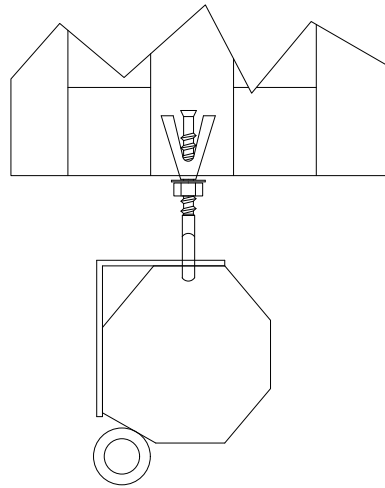
not to scale

Page 1 of 2

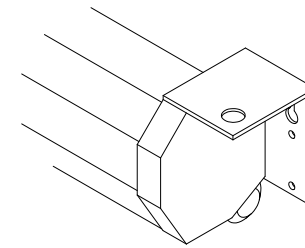
Mounting Methods



Wall Mounting



Ceiling Mounting



Mounting Bracket on Housing



Triton Manual Pull-Down  
Screen 84" 16:9

Product Model: EV-M-84-1.2

not to scale

Page 2 of 2