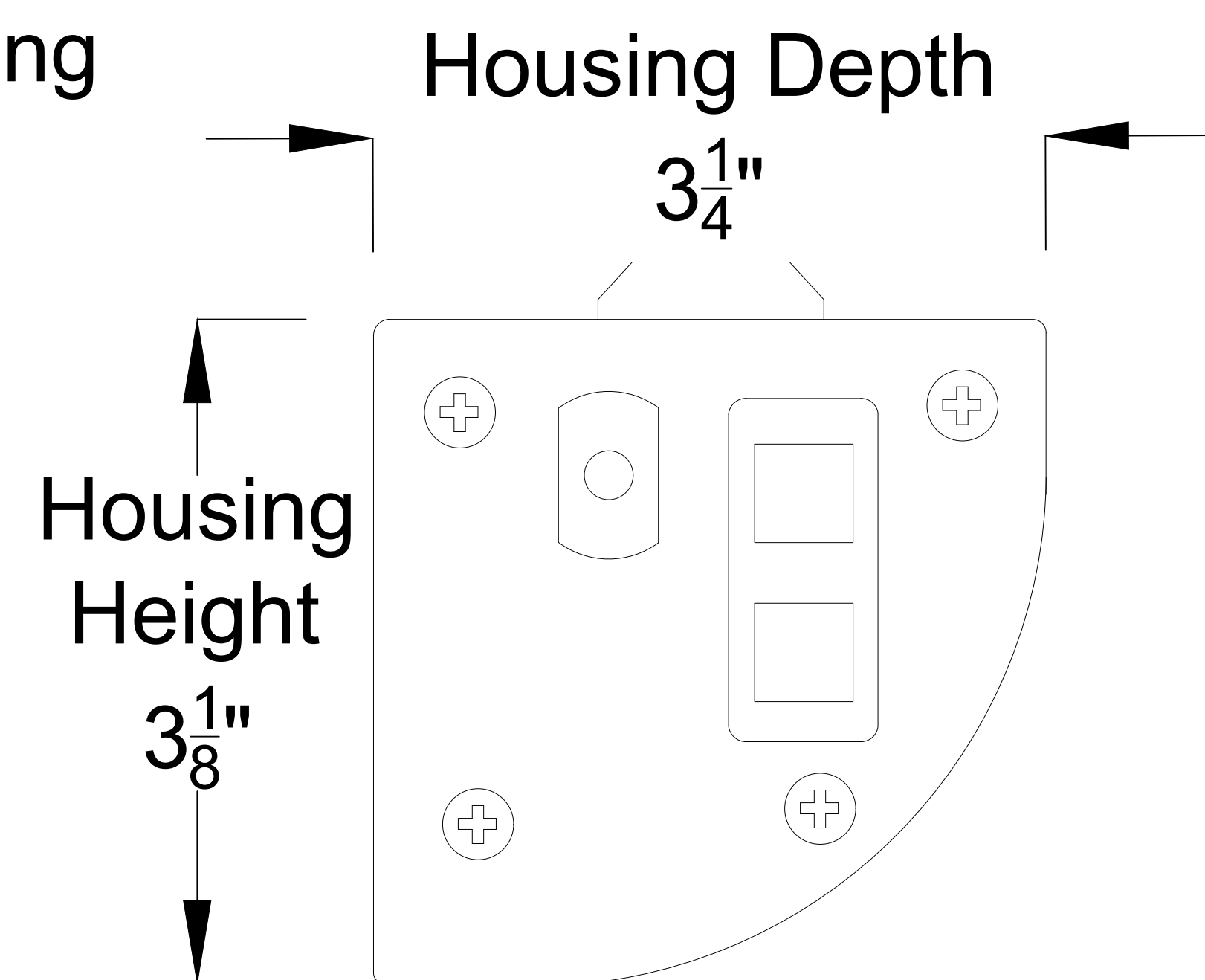


Titan Motorized Tab-Tensioned  
Screen 135" 16:9

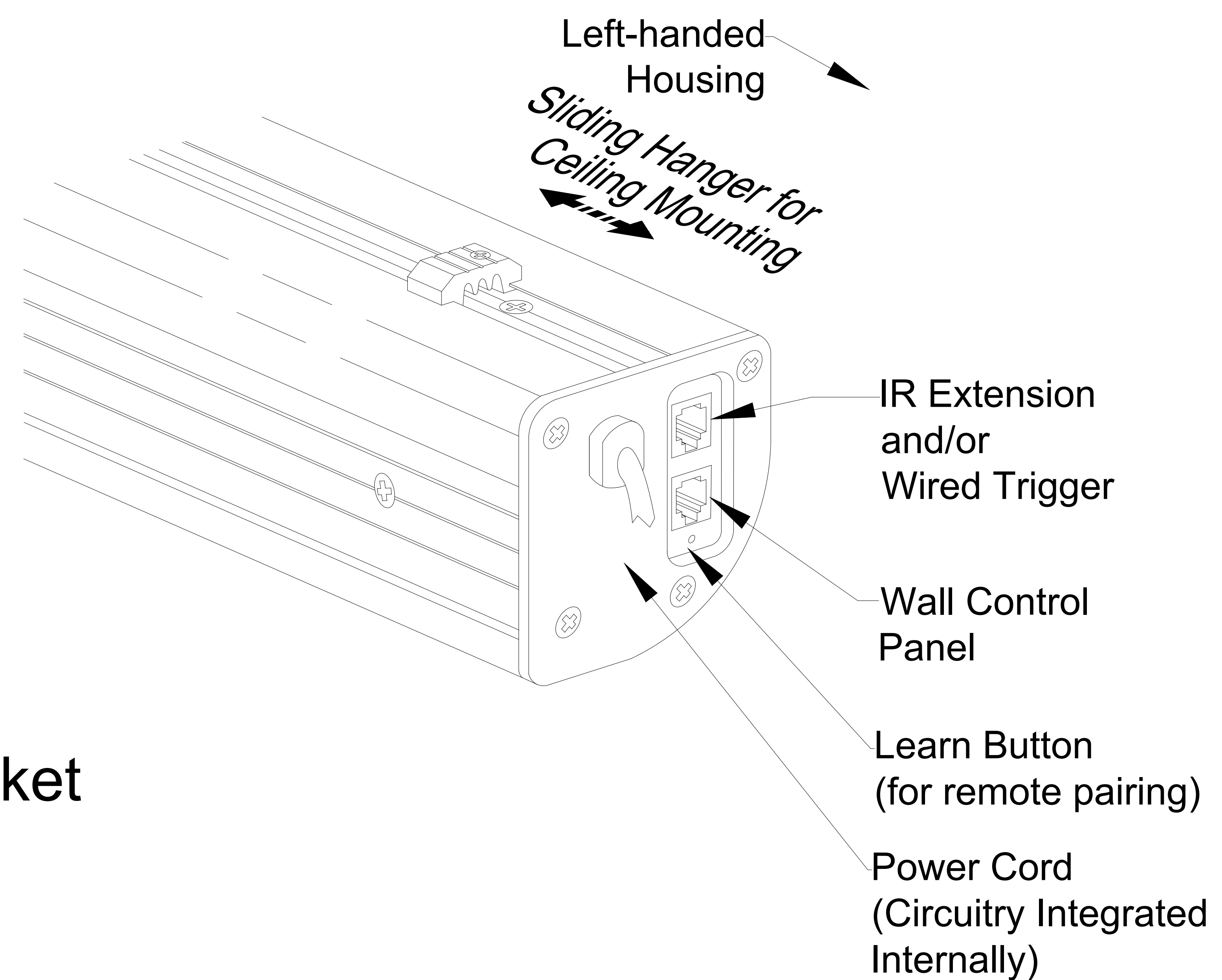
Product Model: EV-T2-135-1.2

Scale 1:1	Page 1 of 2
-----------	-------------

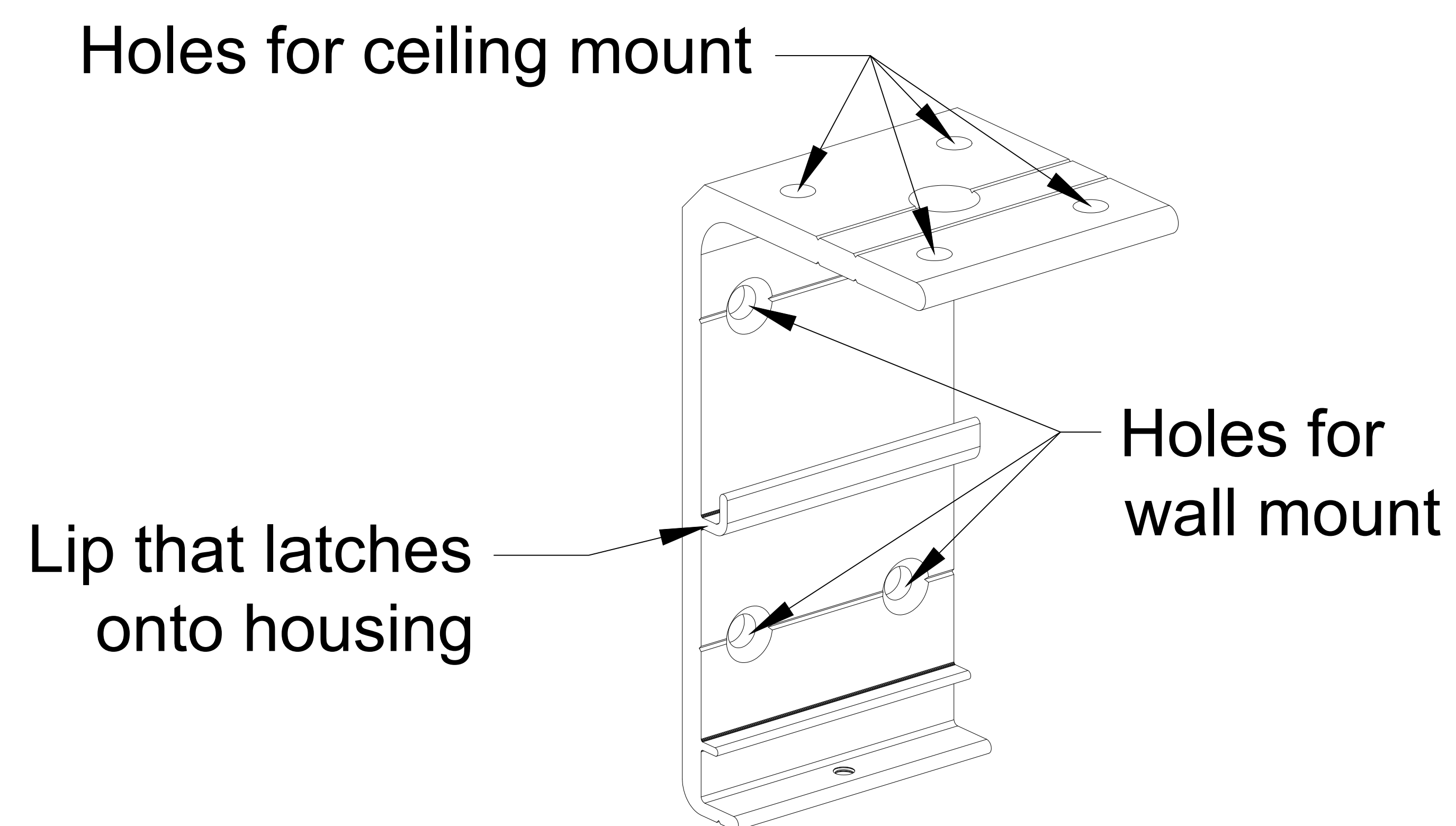
Left Housing View



Left Side Detail



### Mounting Bracket



Titan Motorized Tab-Tensioned Screen 135" 16:9

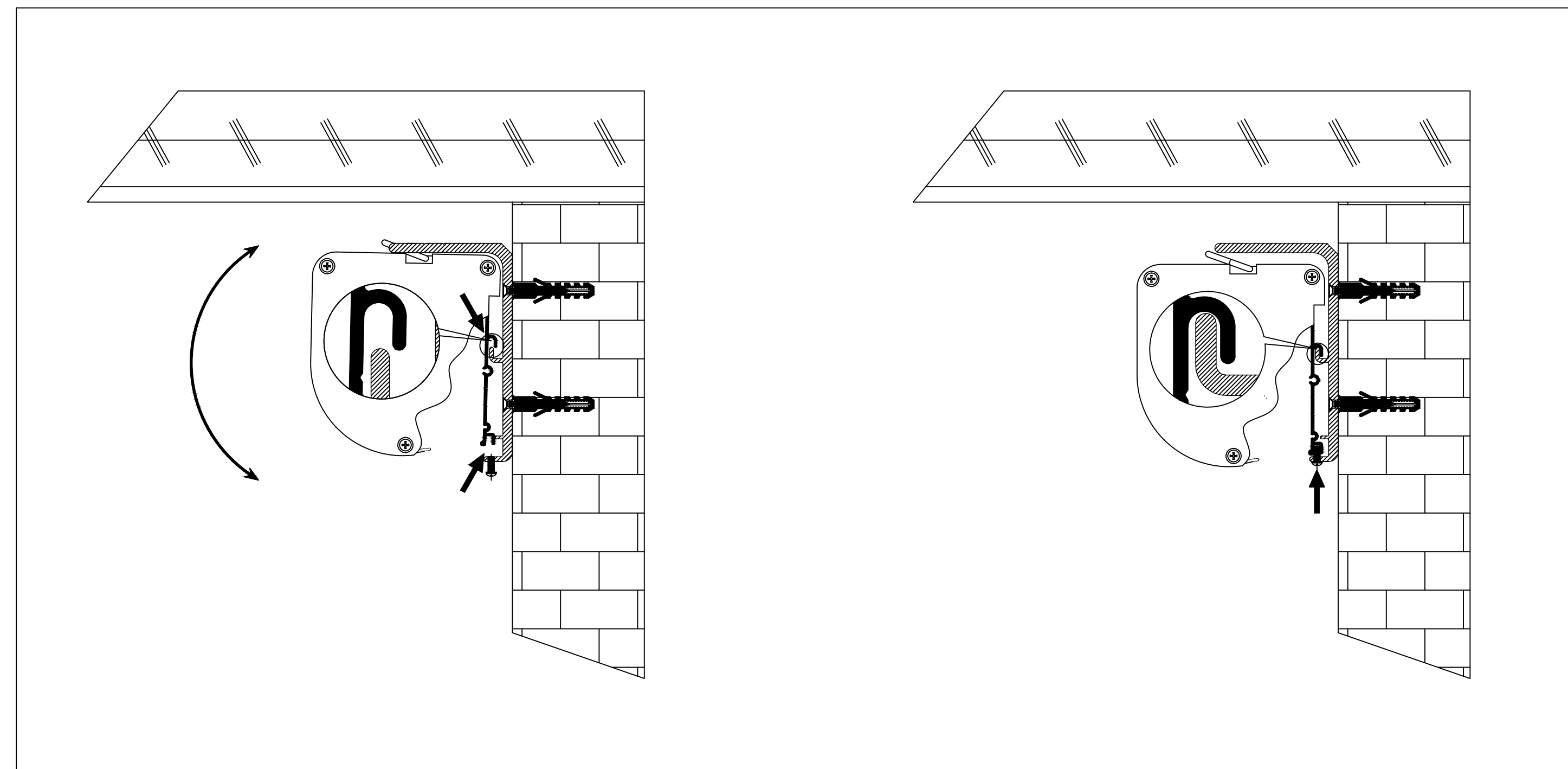
Product Model: EV-T2-135-1.2

not to scale

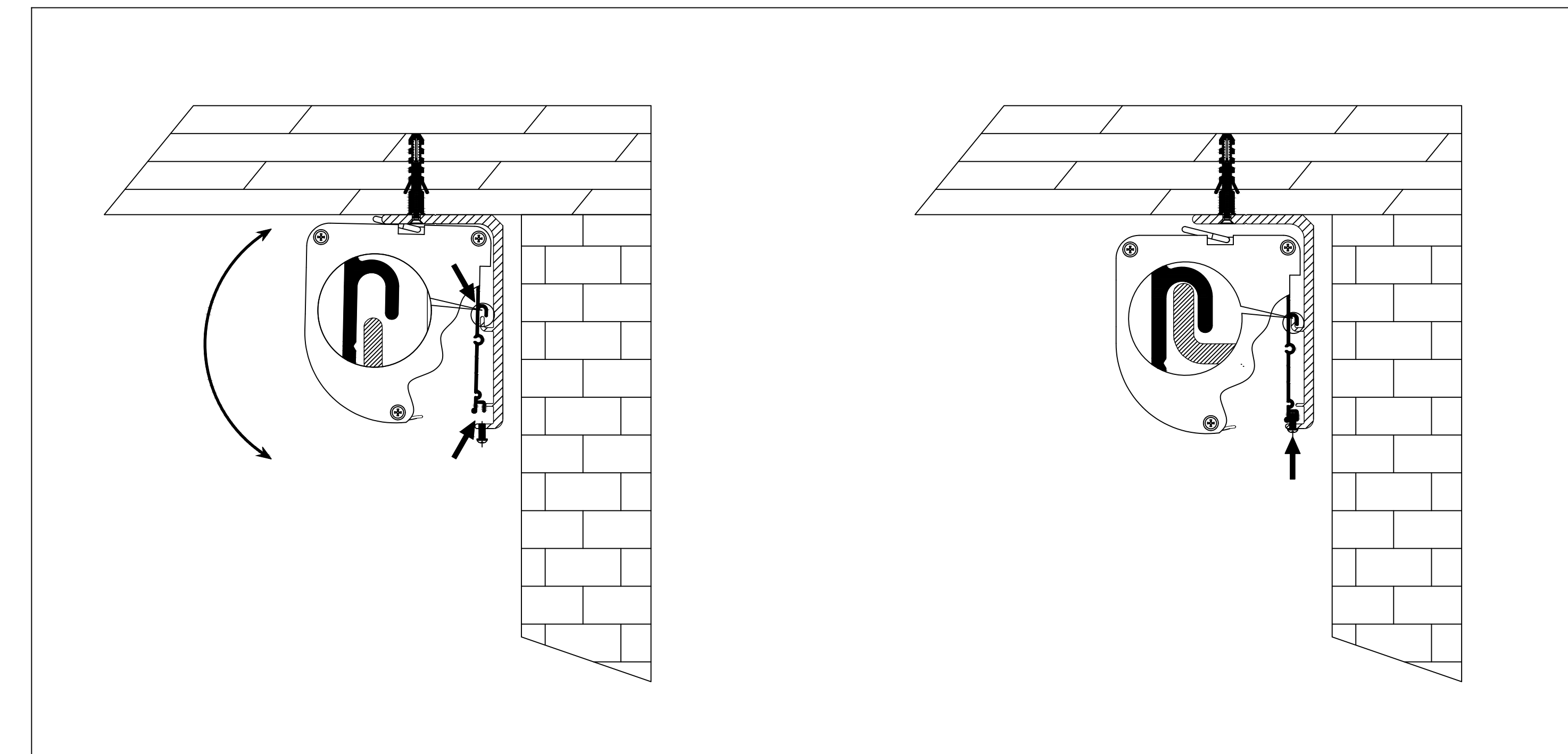
Page 2 of 3

# Mounting Diagrams

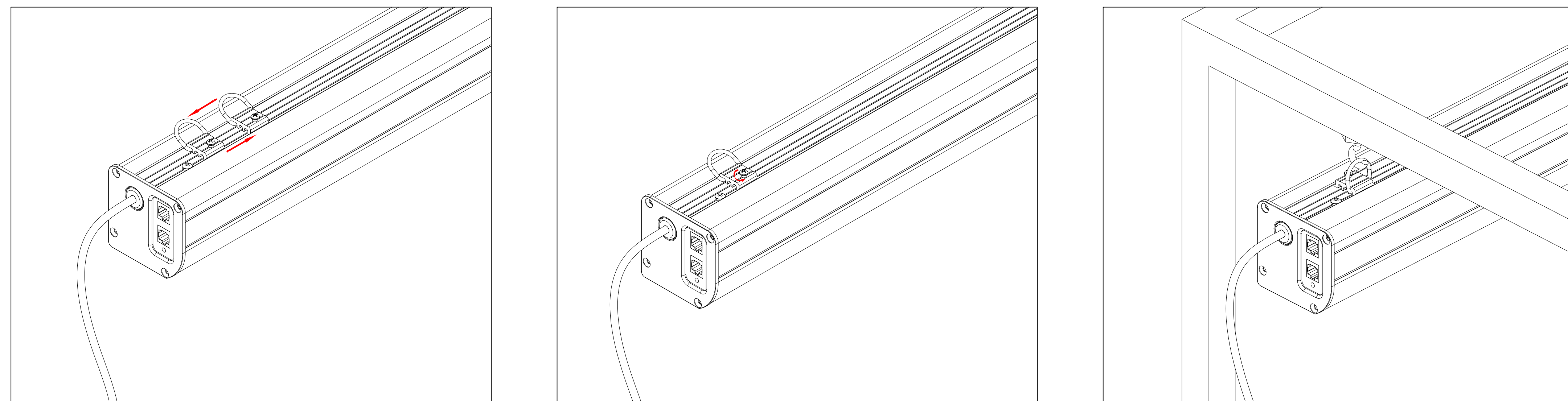
## Wall Mount



## Ceiling Mount



## Hanging Ceiling Mount



Titan Motorized Tab-Tensioned  
Screen 135" 16:9

Product Model: EV-T2-135-1.2

not to scale

Page 3 of 3