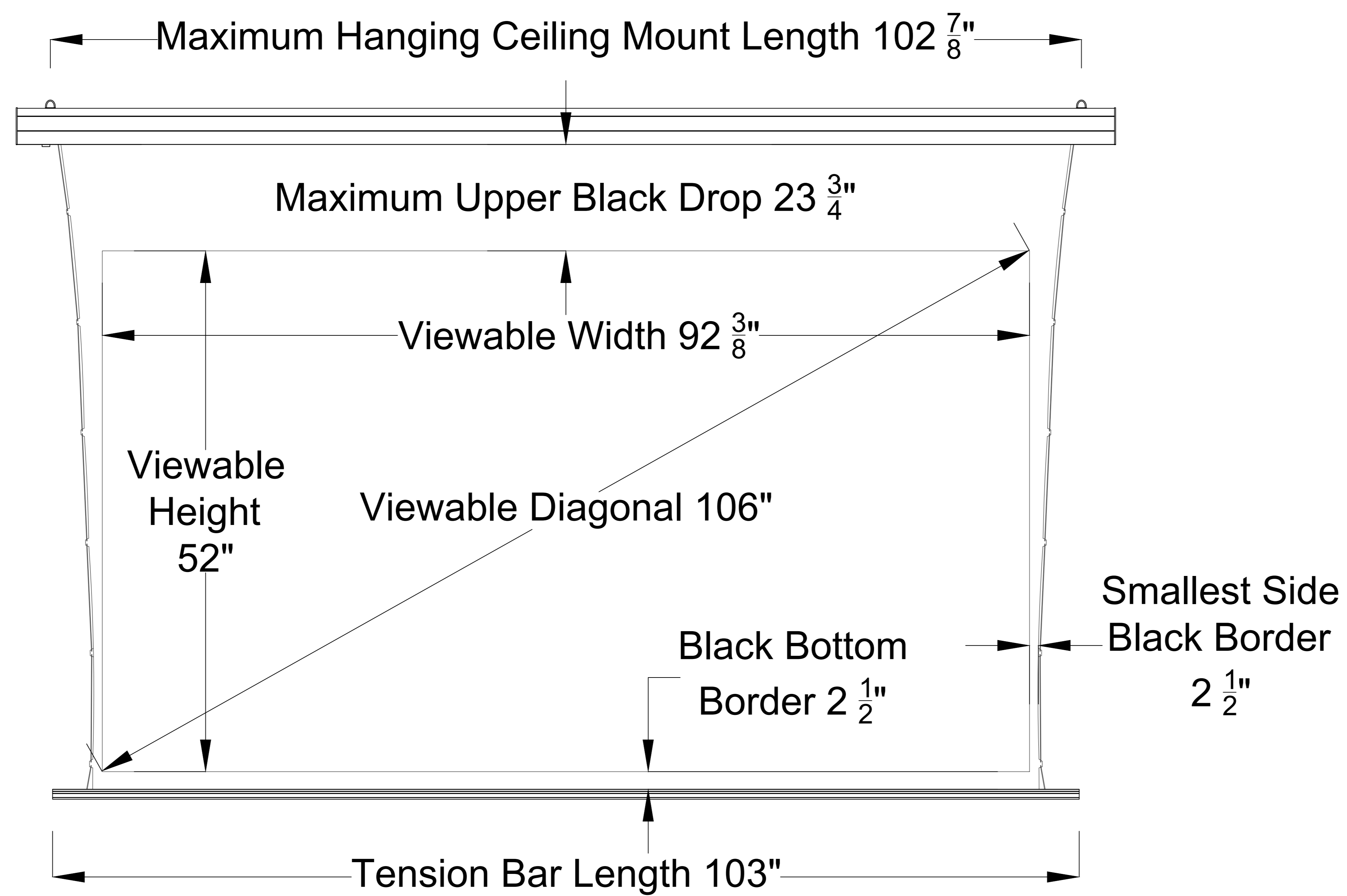
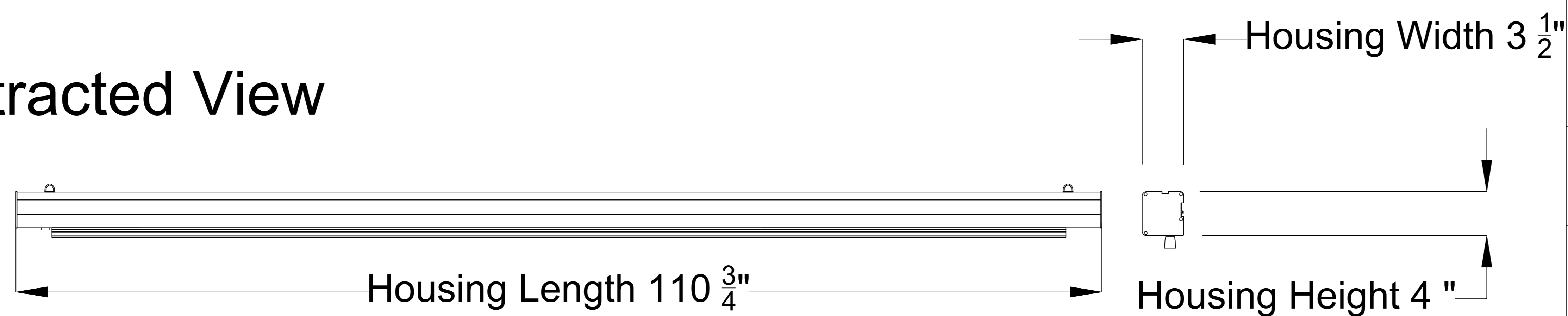


Extended View



Maximum Height $83 \frac{1}{2}$ "

Retracted View



Reference Studio 8K Tab-Tensioned
UST Motorized Screen 106" 16:9

Product Model: EV-TUSTD-106-8K

not to scale

Page 1 of 3

5

4

3

2

1

Right Side of Housing

Mounting Bracket

C

C

Power Cord

Learn Key

Holes for ceiling mount

Lip that latches onto housing

Holes for wall mount

B

B

A

A



Reference Studio 8K Tab-Tensioned
UST Motorized Screen 106" 16:9

Product Model: EV-TUSTD-106-8K

not to scale

Page 2 of 3

5

4

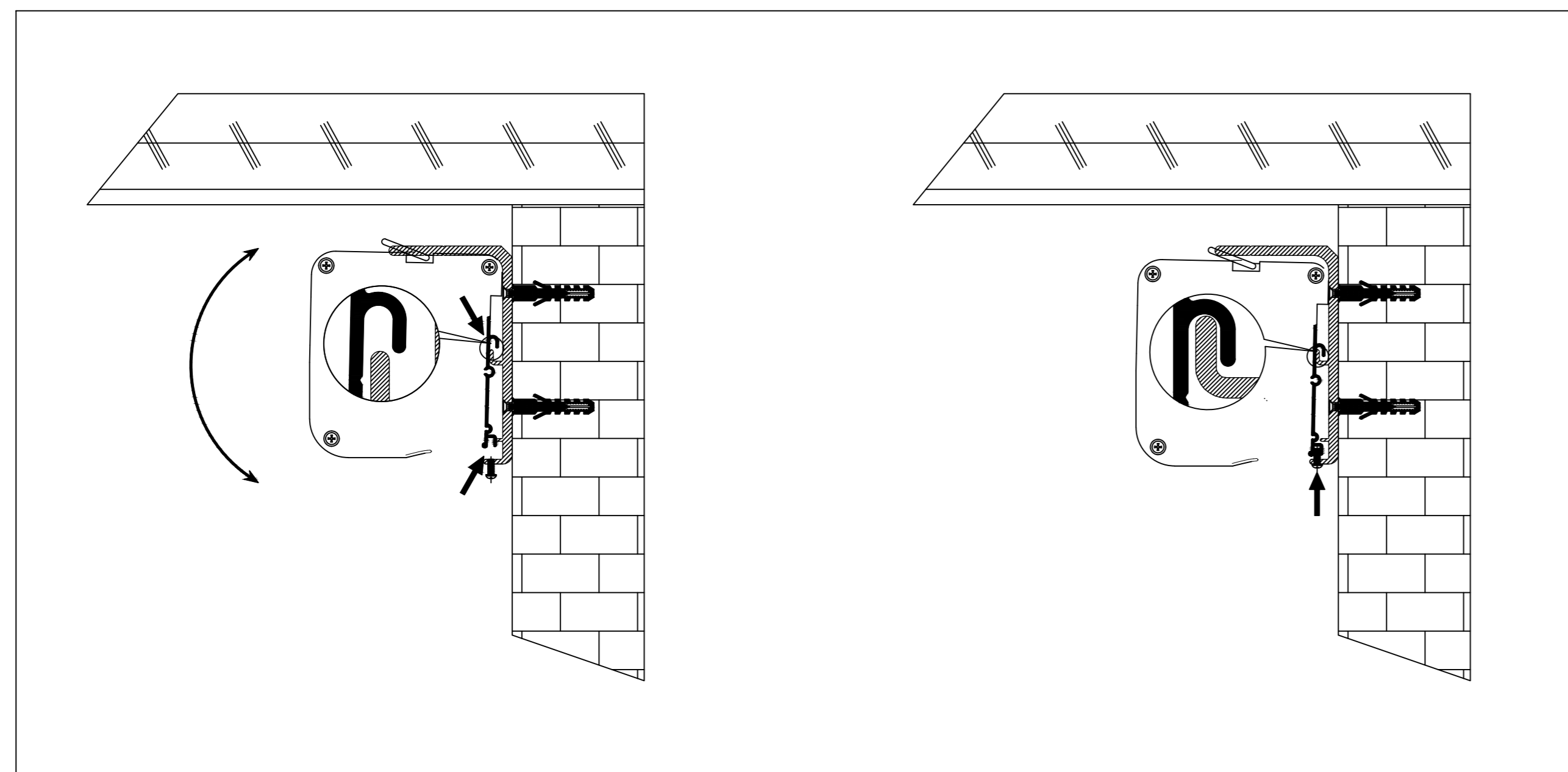
3

2

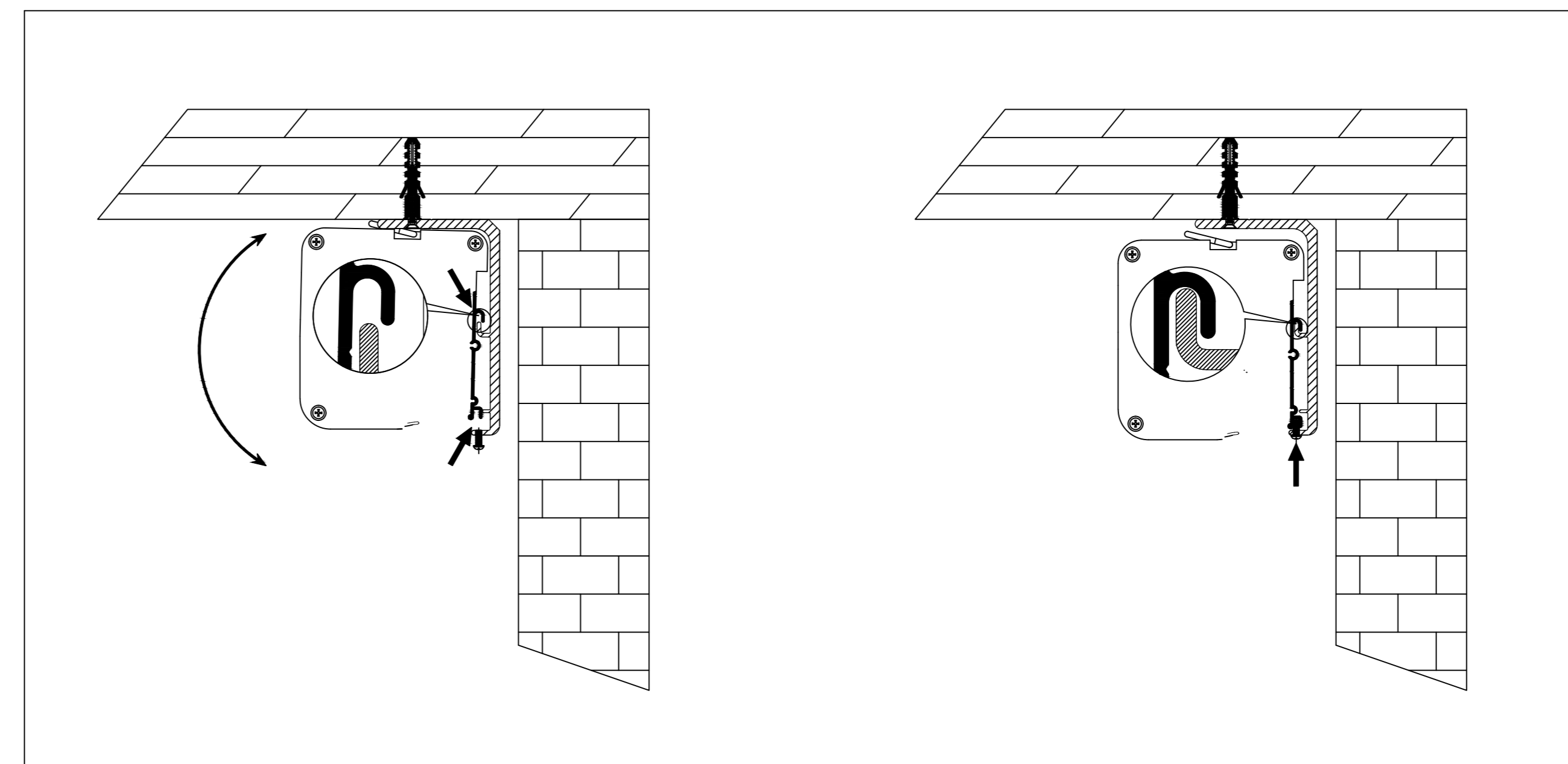
1

Mounting Diagrams

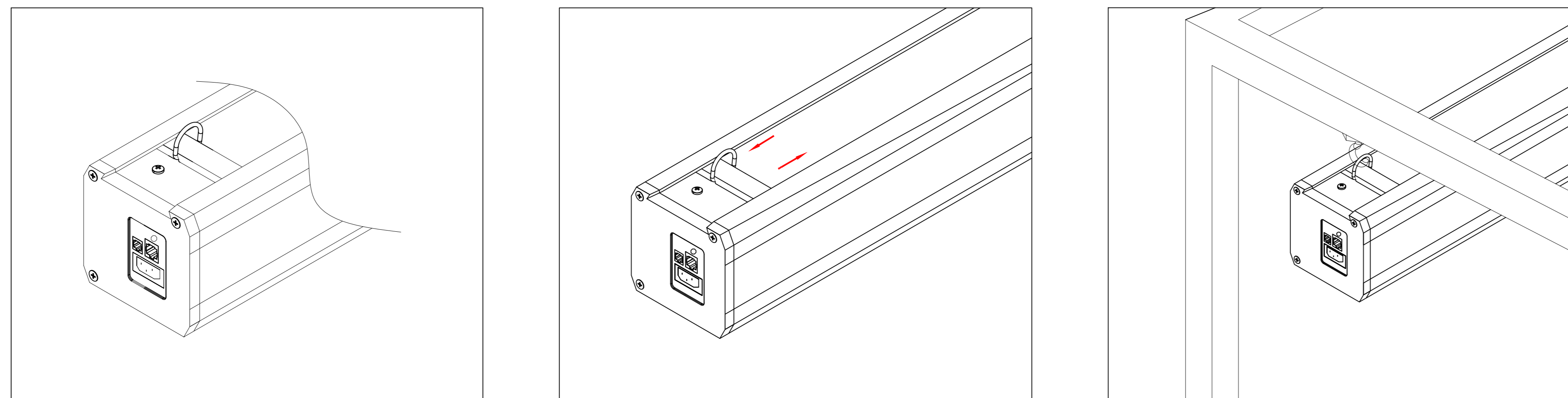
Wall Mount



Ceiling Mount



Hanging Ceiling Mount



Reference Studio 8K Tab-Tensioned
UST Motorized Screen 106" 16:9

Product Model: EV-TUSTD-106-8K

not to scale

Page 3 of 3