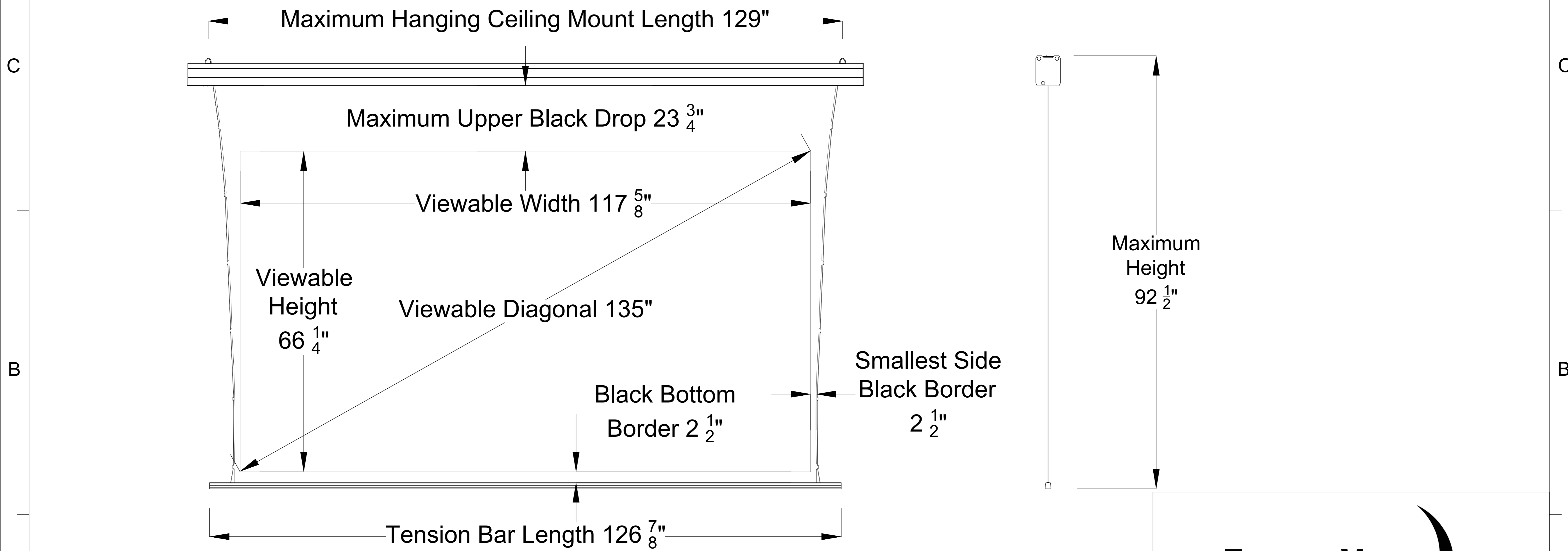
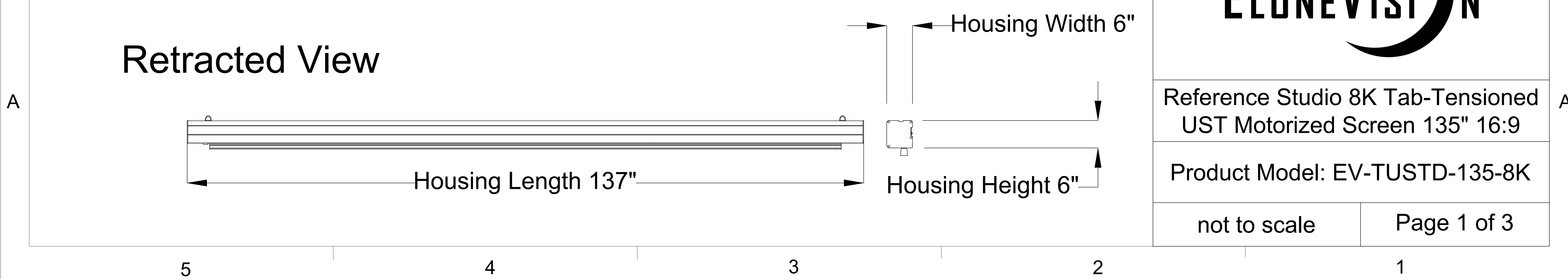


## Extended View



## Retracted View



Reference Studio 8K Tab-Tensioned  
UST Motorized Screen 135" 16:9

Product Model: EV-TUSTD-135-8K

not to scale

Page 1 of 3

5

4

3

2

1

### Right Side of Housing

### Mounting Bracket

C

C

Power Cord

Learn Key

Holes for ceiling mount

Lip that latches onto housing

Holes for wall mount

B

B

A

A



Reference Studio 8K Tab-Tensioned  
UST Motorized Screen 135" 16:9

Product Model: EV-TUSTD-135-8K

not to scale

Page 2 of 3

5

4

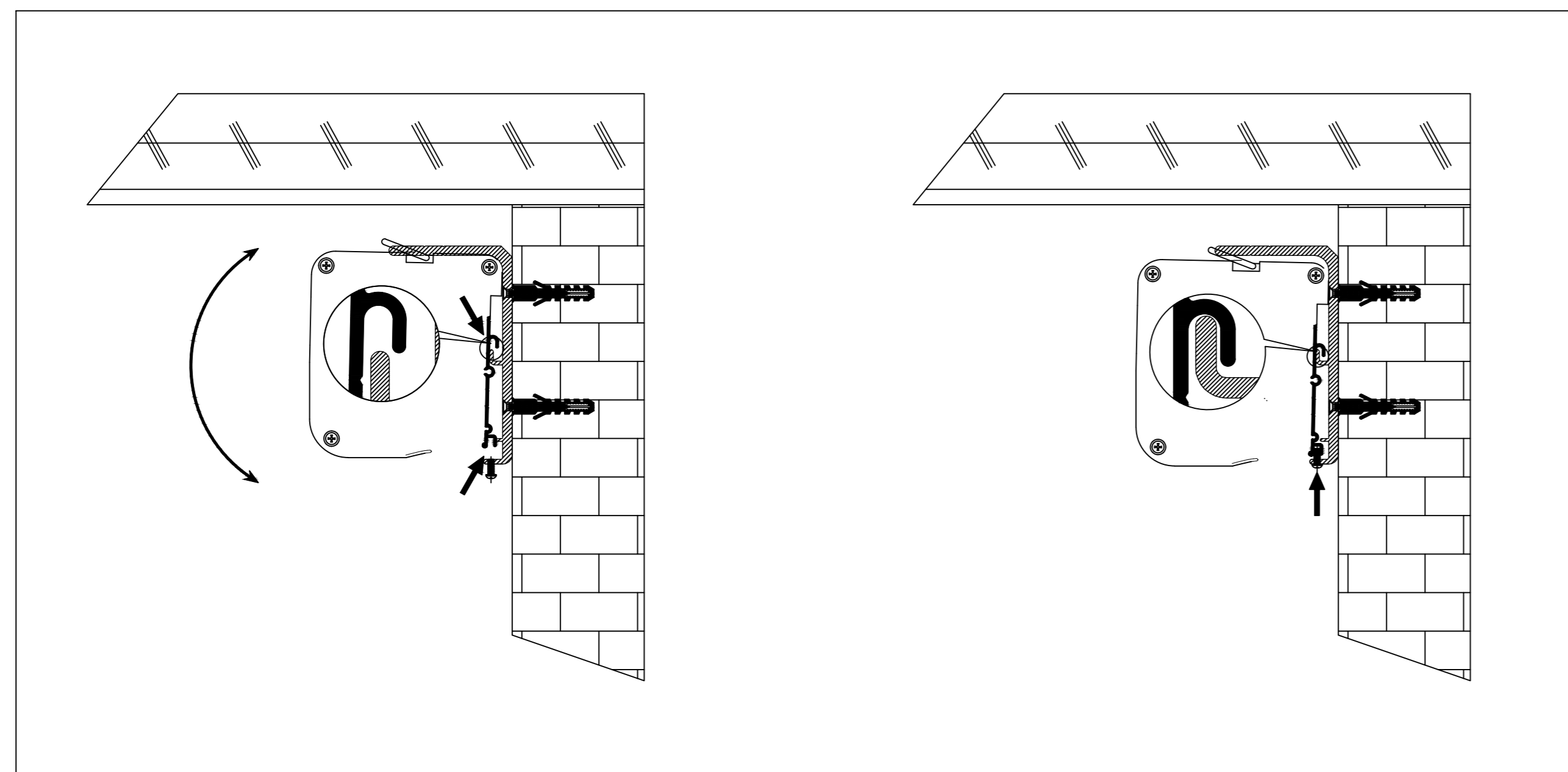
3

2

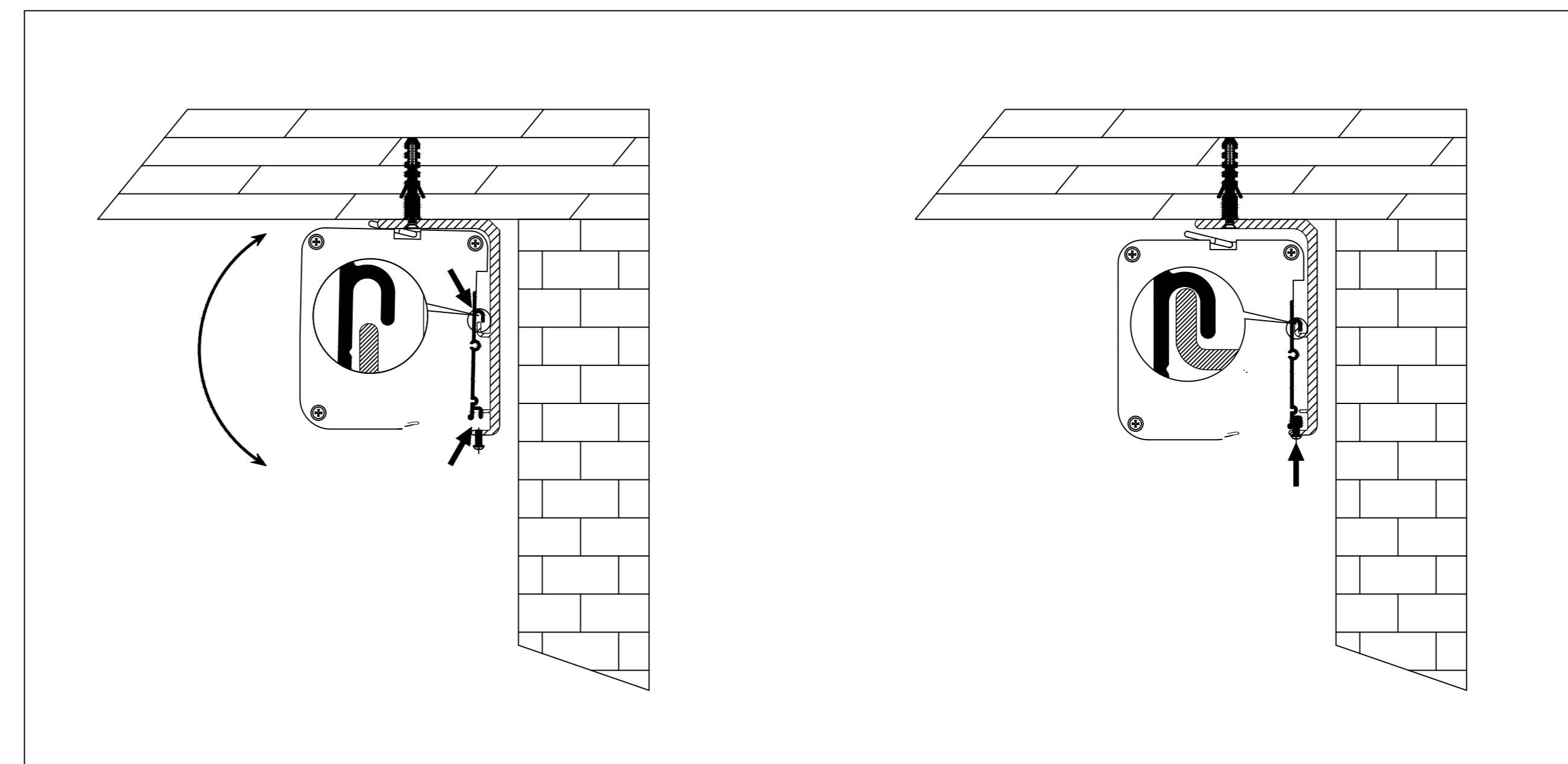
1

# Mounting Diagrams

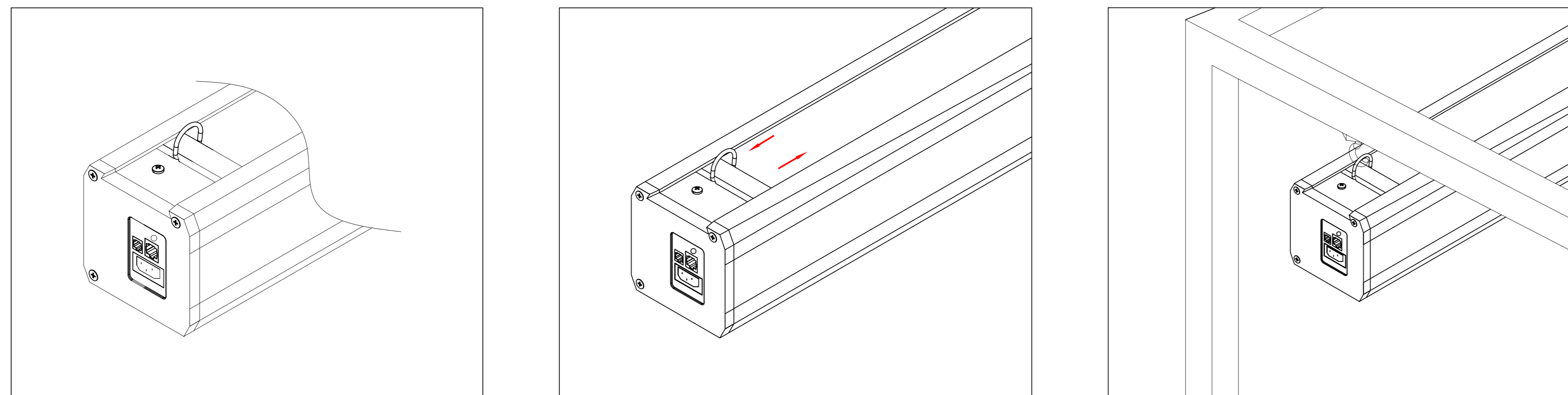
## Wall Mount



## Ceiling Mount



## Hanging Ceiling Mount



Reference Studio 8K Tab-Tensioned  
UST Motorized Screen 135" 16:9

Product Model: EV-TUSTD-135-8K

not to scale

Page 3 of 3