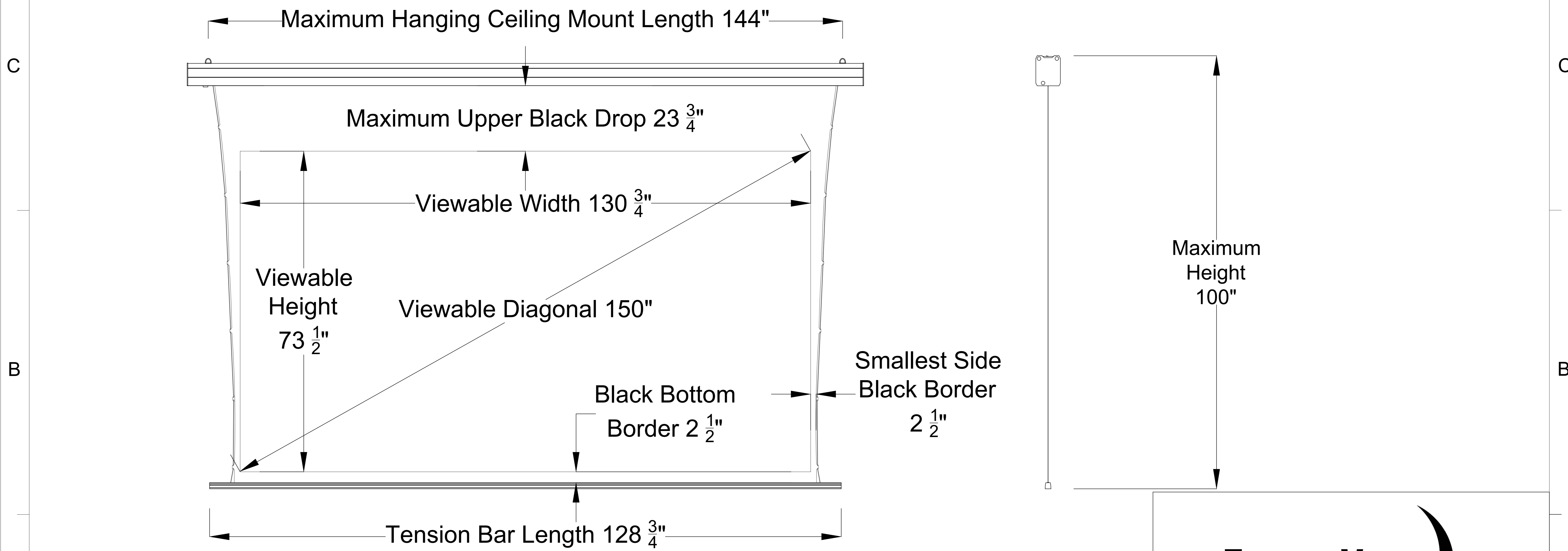
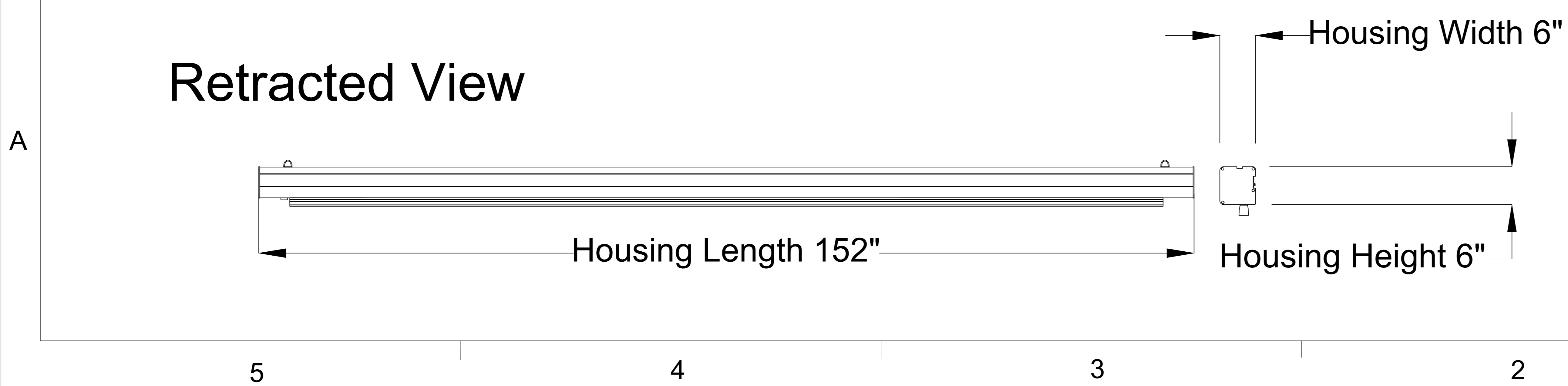


## Extended View



## Retracted View



Reference Studio 8K Tab-Tensioned  
UST Motorized Screen 150" 16:9

Product Model: EV-TUSTD-150-8K

not to scale

Page 1 of 3

5 4 3 2 1

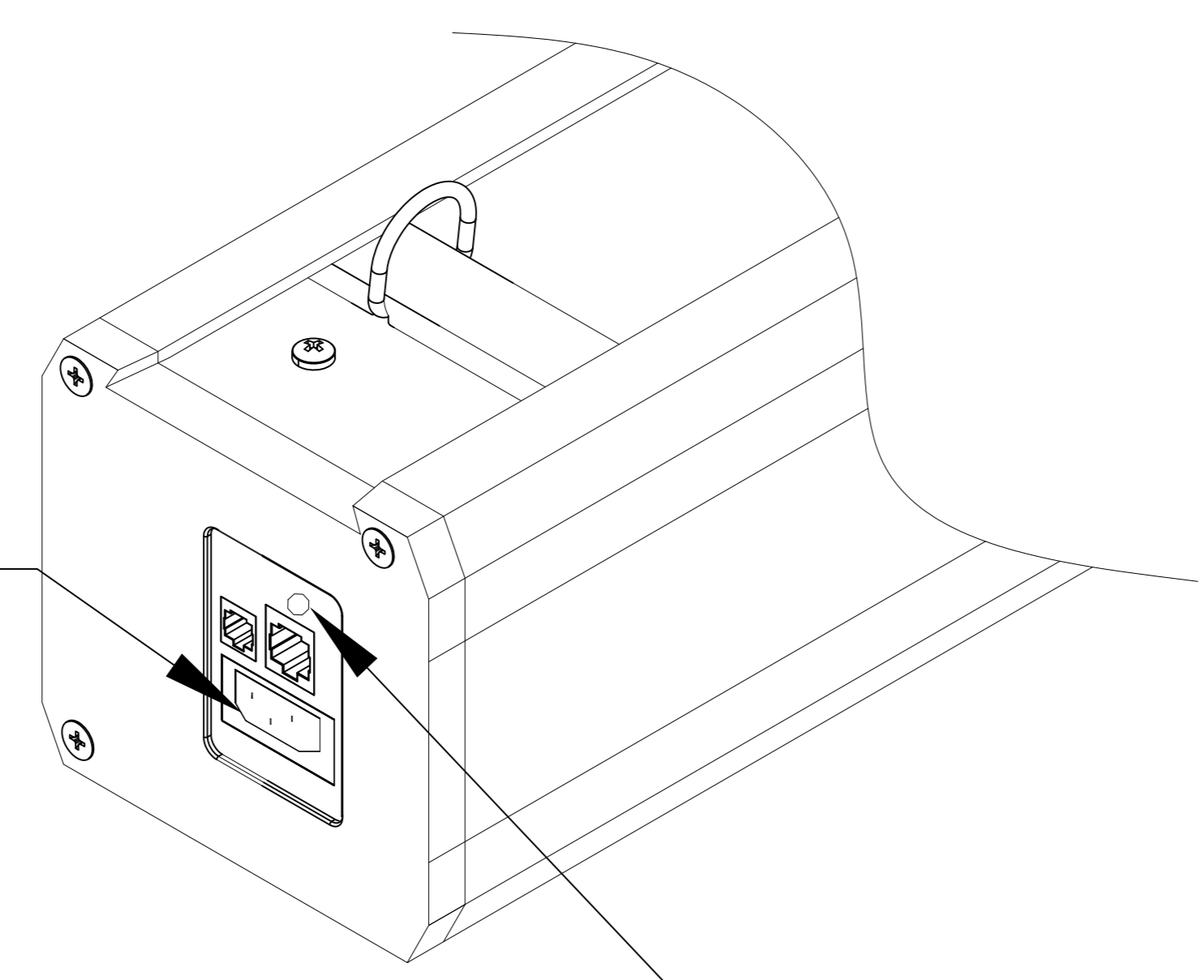
### Right Side of Housing

### Mounting Bracket

C  
B  
A

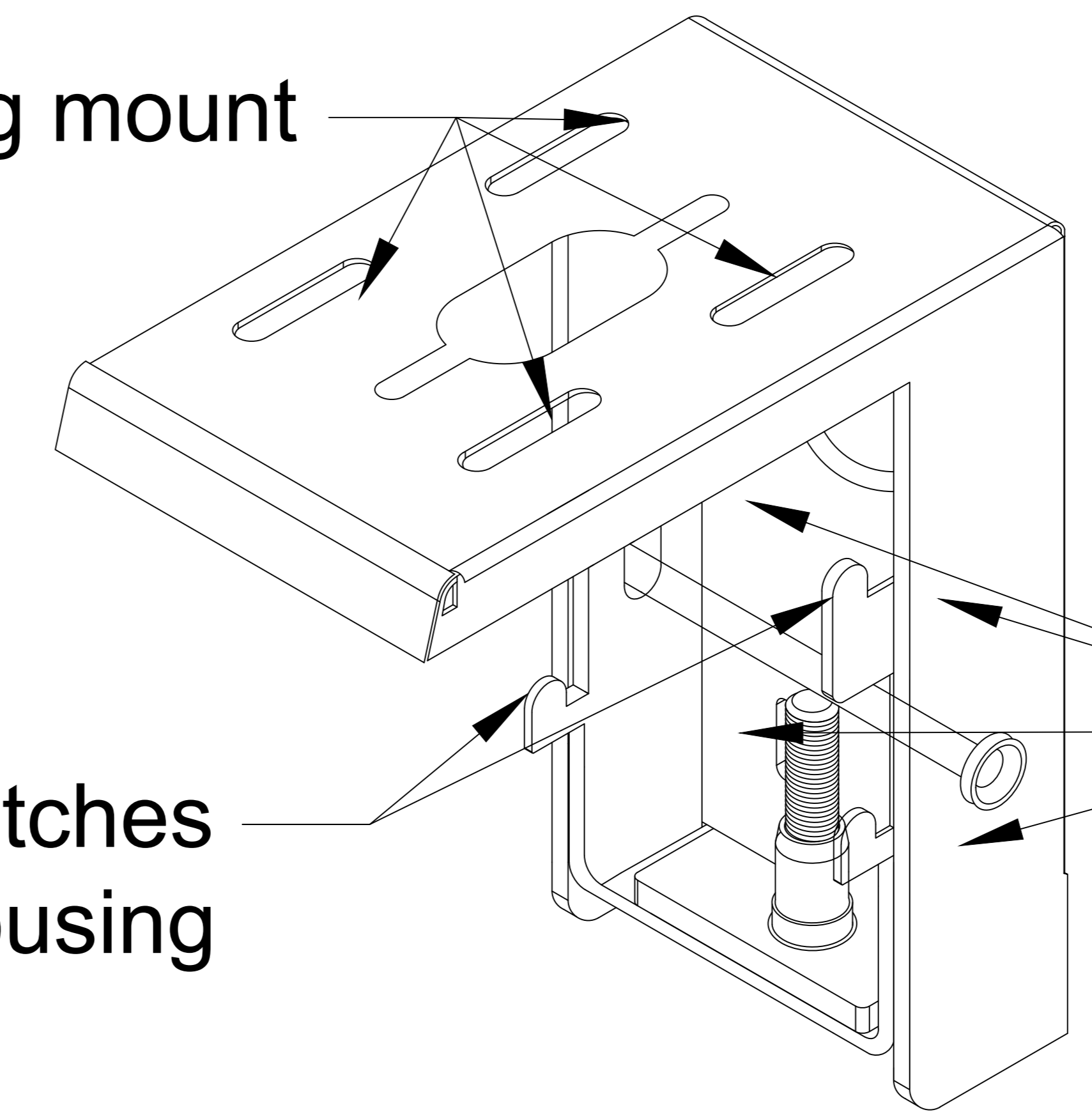
C  
B  
A

Power Cord



Learn Key

Holes for ceiling mount



Lip that latches onto housing

Holes for wall mount



Reference Studio 8K Tab-Tensioned  
UST Motorized Screen 150" 16:9

Product Model: EV-TUSTD-150-8K

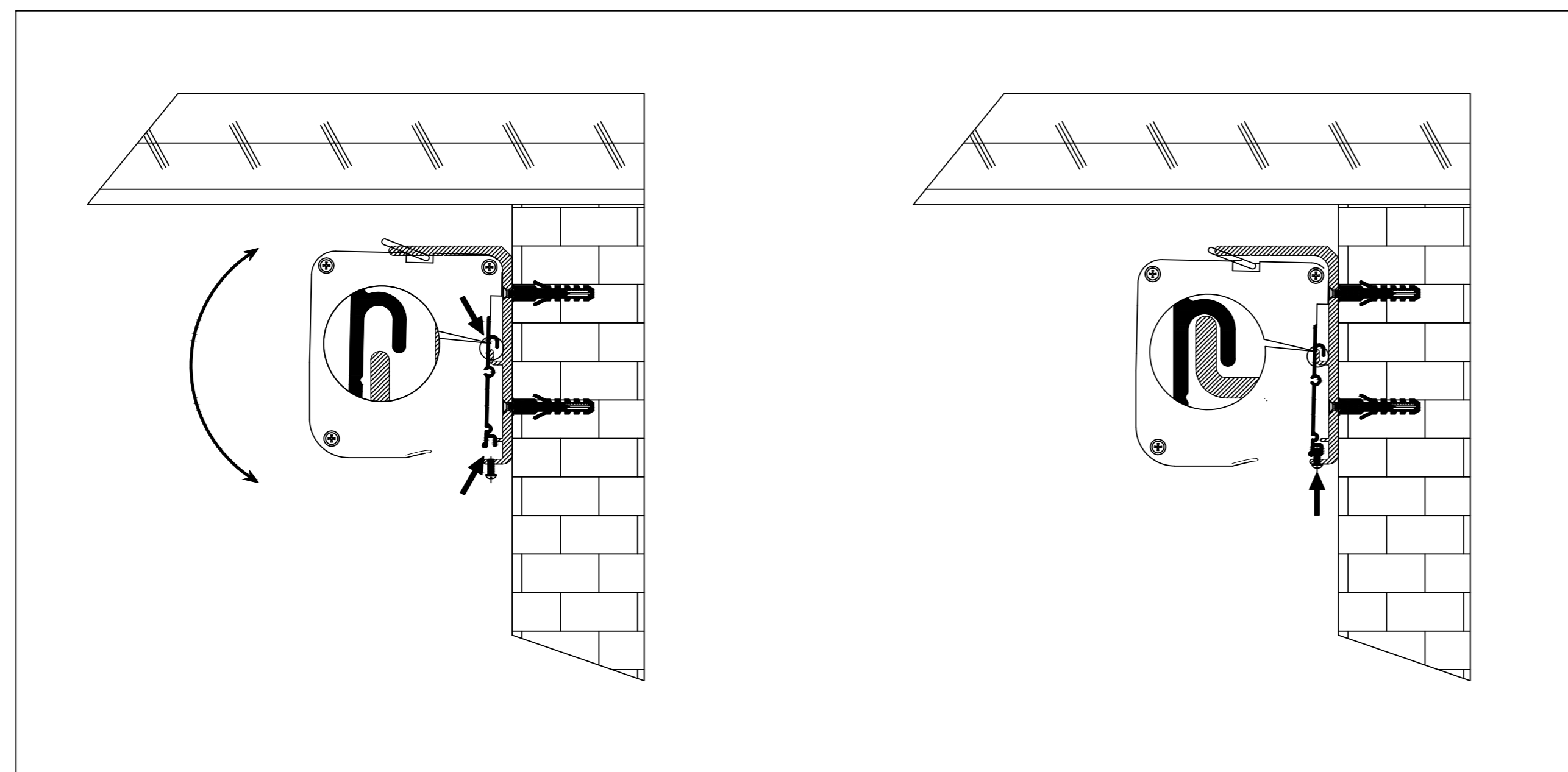
not to scale

Page 2 of 3

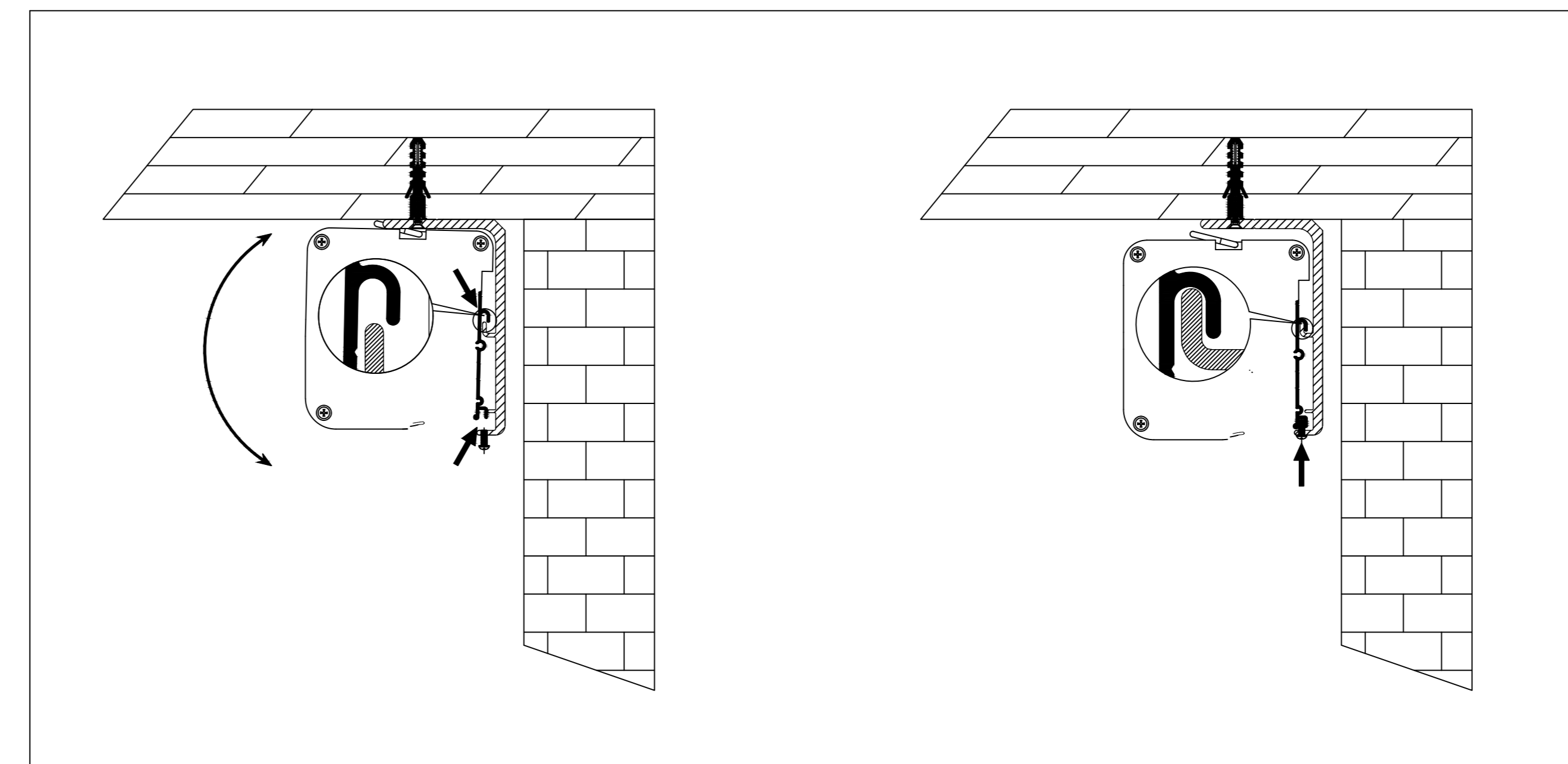
5 4 3 2 1

## Mounting Diagrams

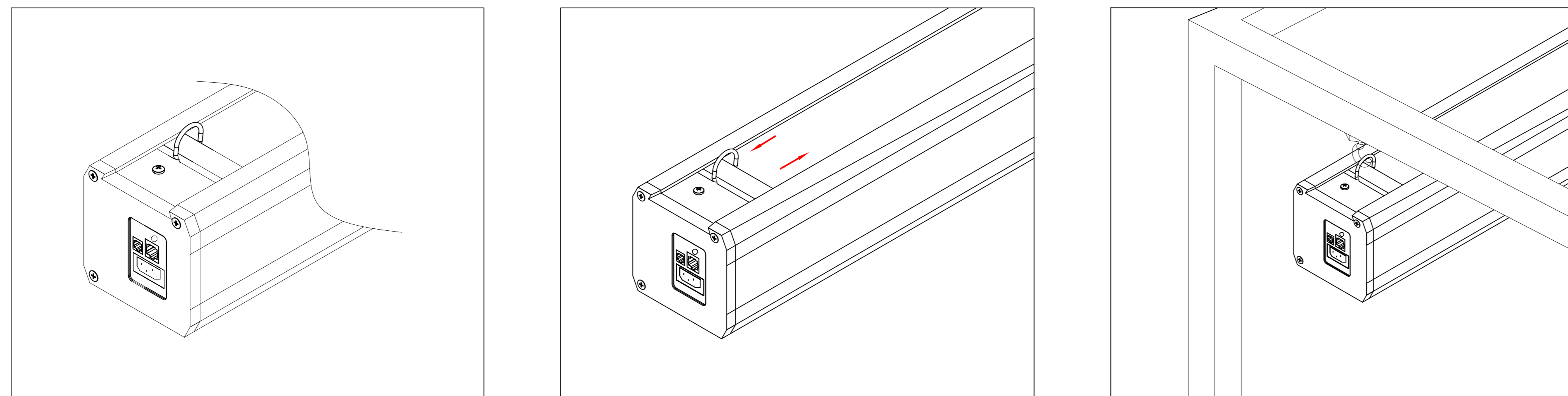
### Wall Mount



### Ceiling Mount



### Hanging Ceiling Mount



Reference Studio 8K Tab-Tensioned  
UST Motorized Screen 150" 16:9

Product Model: EV-TUSTD-150-8K

not to scale

Page 3 of 3