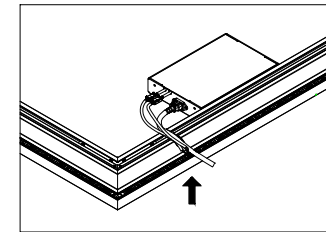
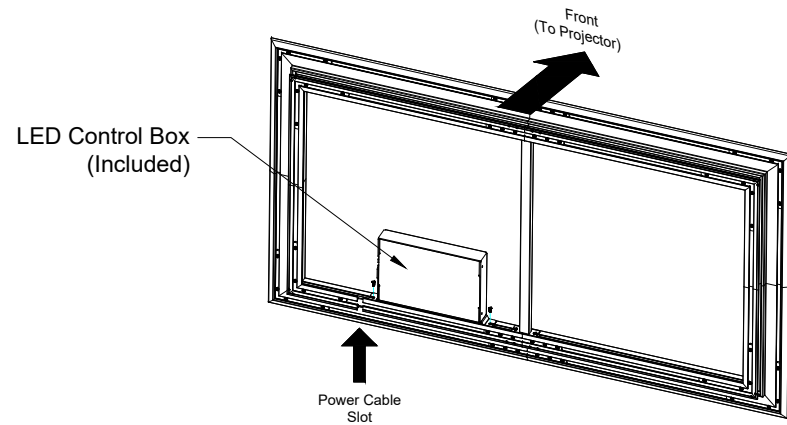
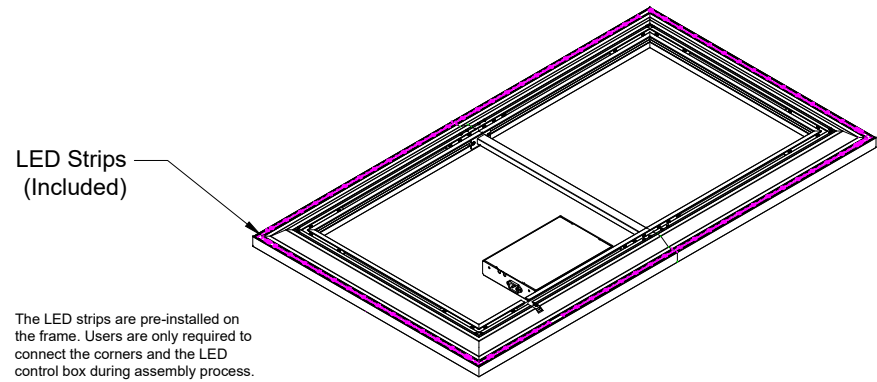



<b>ELUNEVISION</b>	
EVO 8K Aurora NanoEdge LED Fixed Frame 120" 2.35:1	
Product model: EV8K-ZL-120-1.3-2.35	
Scale: 1:1	Page 1 of 3

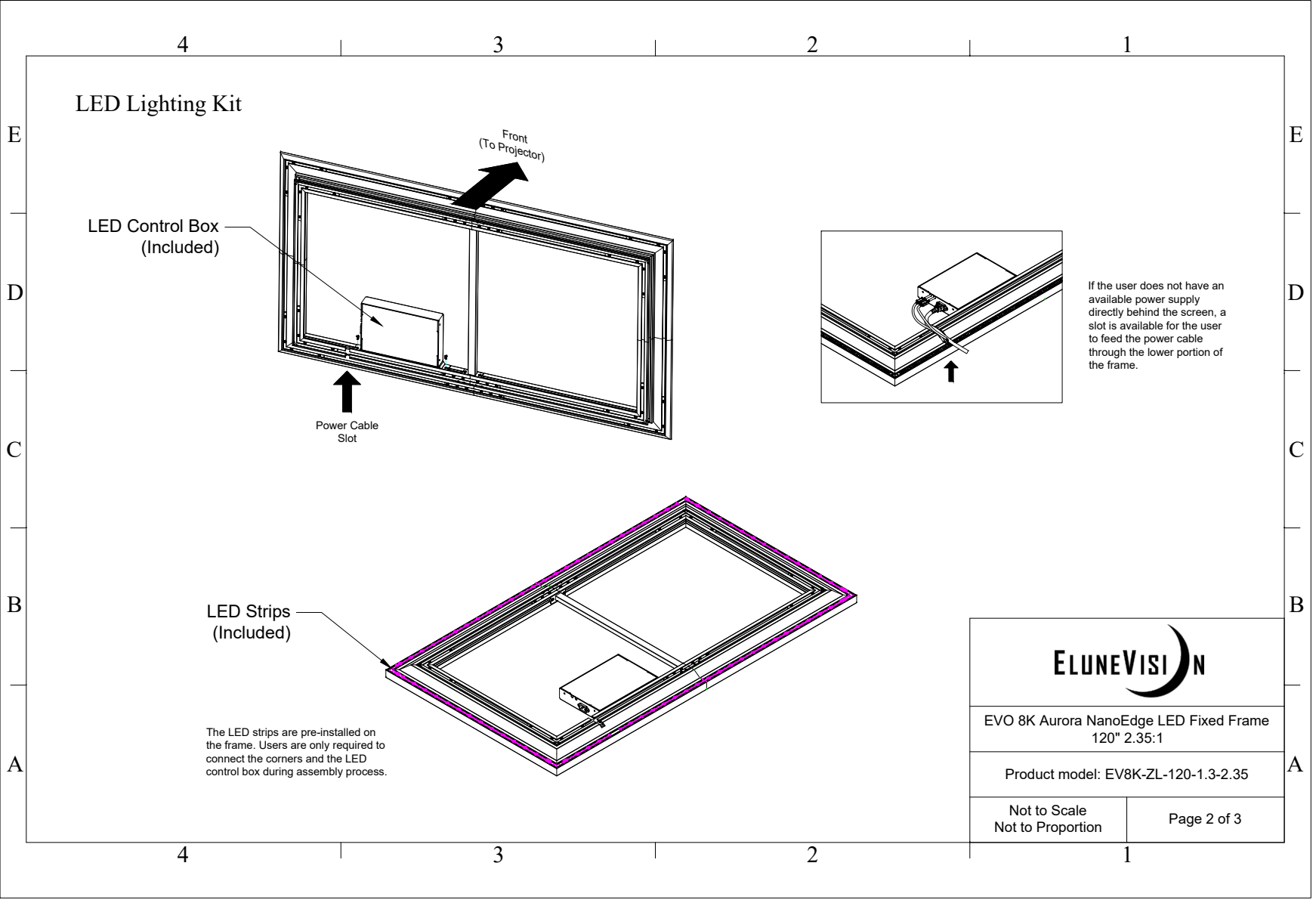
## LED Lighting Kit



If the user does not have an available power supply directly behind the screen, a slot is available for the user to feed the power cable through the lower portion of the frame.

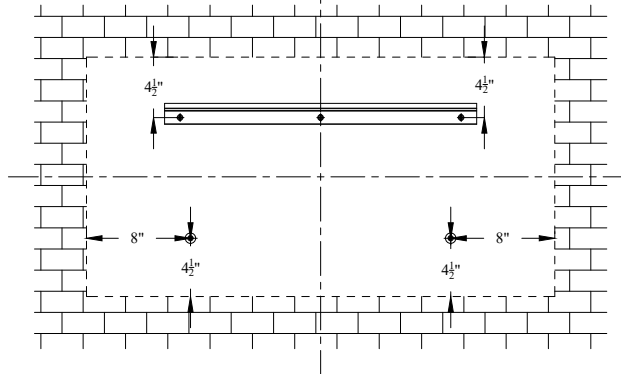


	
EVO 8K Aurora NanoEdge LED Fixed Frame 120" 2.35:1	
Product model: EV8K-ZL-120-1.3-2.35	
Not to Scale Not to Proportion	Page 2 of 3

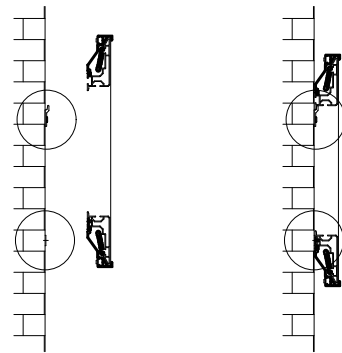


# Mounting Diagram

The holes used to mount the top bracket should be  $4\frac{1}{2}$ " from the top of the screen frame.

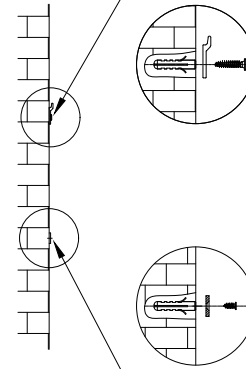


The holes used to mount the support magnets should be  $4\frac{1}{2}$ " from the bottom and 8" from the sides of the screen frame.



Support magnets are designed for users to keep their screens completely parallel to the wall they are mounted on. It can also be used to make the screen vertical when the user's wall is not flat.

Mounting Brackets



Support Magnets



EVO 8K Aurora NanoEdge LED Fixed Frame  
120" 2.35:1

Product model: EV8K-ZL-120-1.3-2.35

Not to Scale  
Not to Proportion

Page 3 of 3