



Juno Motorized Screen User Manual

General Notes

1. Thank you for choosing our projection screen for your home or business. Please read the user manual carefully before proceeding. Follow the provided instructions to complete installation quickly and safely.
2. Please ensure there are no other objects such as power switches, outlets, furniture, and windows occupying the space designated to hang the screen.
3. Make sure that the proper mounting anchors are used and the weight of the screen is supported. If you are unsure whether your mounting method can support your screen, please consult a home improvement specialist.
4. When not in use, retract the screen to protect the optical surface from dirt, dust, grime, or any other impurities.
5. When cleaning, use a soft damp cloth with warm water or diluted liquid detergent to remove any marks on the casing or on the screen surface.
6. Never attempt to use any solutions containing corrosive chemicals or abrasive cleaners on the screen surface.
7. To avoid damaging the screen, do not fold the screen or touch the screen directly with your hands, tools, or any other abrasive/sharp object.
8. Do not run the screen continuously for over 4 minutes as the motor has an anti-overheating function and will shut down. If this happens, let the motor cool down for 5-20 minutes and continue use.
9. Spare parts should be stored out of reach of small children in accordance with household safety.
10. Curvature will appear in the edge of fabric when fabric is extended completely. This is a common phenomenon and the curvature will gradually disappear after you hang the screen for about ten minutes.

Safety Guide

1. Do not stand underneath the screen when mounting or hanging. Expansive bolts should be firmly attached and fixed into the wall or ceiling.
2. Be sure the ground wire is connected with the power cable to avoid electric shock.
3. Have two people present when installing the screen.

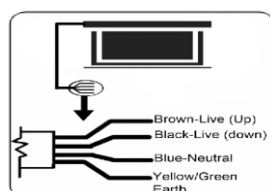
Product Electrical Specifications

VOLTAGE

100V-120V, 60Hz or
220V-240V, 50Hz

POWER

50W (max)



*For service inquiries, contact
(905) 581-7752 or
sales@elunevision.com.*

Installation Notes

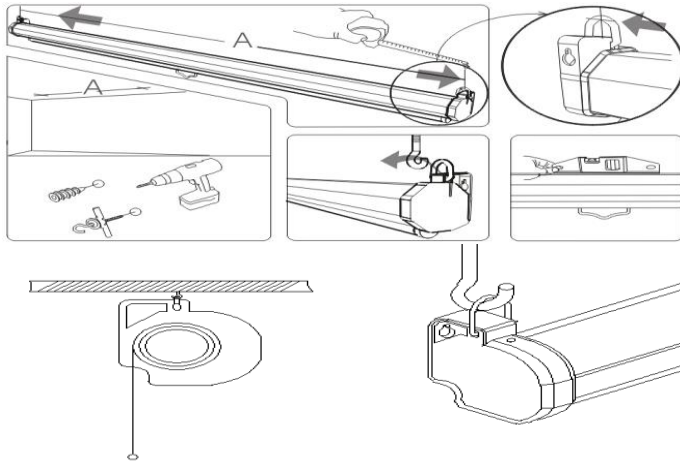
- An electric drill with drill and driver bits as well as a level are necessary for installation.
- Install the screen away from direct sunlight to keep screen material exposure to UV at a minimum.
- Install in a room without excess humidity.
- Only install the screen if it is in an electrically stable environment.
- Keep the screen away from devices (heaters, etc.) that cause large changes in temperature and humidity.
- Handle screen with care, avoid vibrations and drops.

Installation Method

Install the screen in a location where the audience can see the whole screen when it is fully extended. The screen can be wall mounted or hung from a ceiling and users can choose the most suitable method according to their needs. Refer to your projector specifications and install the screen in accordance to the throw ratio of the projector. Ensure the right equipment is used for whichever chosen method. If unsure the hardware can support the weight of the screen, contact a home improvement specialist.

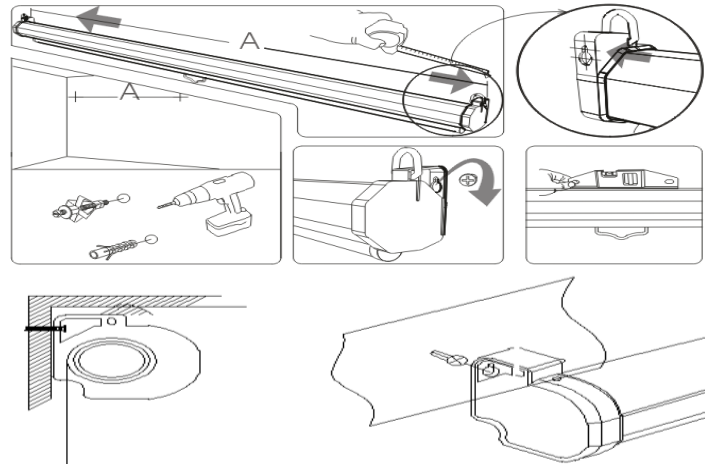
MOUNTING TO CEILING

Drill holes for the screw hooks while ensuring the holes are in line with the desired screen location and that the holes are the same as the distance between the D-rings. Screw the appropriate screw hooks into the holes and hang the screen by the D-rings.



MOUNTING TO WALL

Measure the distance between the wall mounting holes and mark the wall in the desired location. Drill screws into the marked spots and hang the screen from the screws.



Overheat Protection

The motor used in this screen has an overheat protection feature. When the motor runs for an extended period, the motor will stop working to prevent overheating which would cause damage to the motor. If this happens, wait 15-20 minutes for the motor to cool off and continue use.

Fuse Replacement

There is a fuse located on the screen's circuit board to prevent additional electrical damage to the unit in an electrically unstable environment. If the screen appears to have no power while the outlet provides power, the fuse may be blown. It is the user's responsibility provide an electrically stable environment for the unit, and to replace the fuse if required.

Remove the screws on the side of the housing with the power cable and take off the side covering. Carefully pull out the circuit board while ensuring no wires are damaged. Take off the black plastic cover labelled "FUSE" and see if the fuse is blown. If this is the case, remove the fuse from the plastic casing using tweezers or a lever to remove. Replace the fuse with the same model as the one removed. The model will be labelled on the fuse. Replace the fuse cover, put the circuit board back in its original location and replace the side cover.

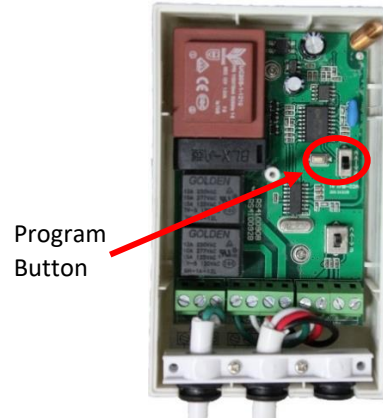
Remote Pairing

Remove the back panel of the control panel to reveal a circuit board. This is most easily done by applying pressure on the side notches and lifting the panel. There will be a program button which will be used to reprogram the remote.



WIRELESS REMOTE PAIRING

Plug in the control box and press the program button. The LED on the front of the control box will flash slowly and the up button should be pressed on the remote within 10 seconds. The LED will stop flashing and the remote pairing is complete.



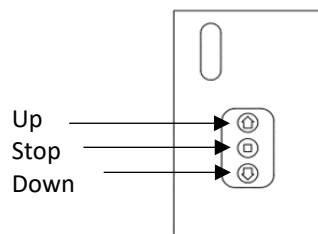
DELETING ALL CODES ON REMOTE

Plug in the control box and hold the program button until the LED on the front of the control box is flashing quickly. Press the program button again within 10 seconds and the LED will stop flashing which indicates that all the codes have been deleted.

Screen Operation

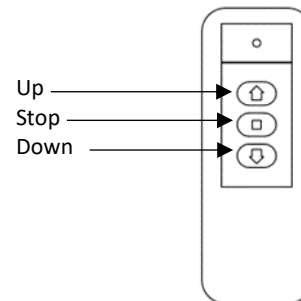
CONTROL BOX OPERATION

Plug the power cord into an electrical outlet and position the cord so that it will not be tripped over, pulled on, or contacted by hot surfaces. If an extension cord is needed, use a cord with the same current rating. A red light in the top left corner will turn on when the unit is powered.



WIRELESS CONTROL UNIT OPERATION

The RF remote does not need to be pointed at the control box to raise or lower the screen. The remote has a wall mount included which can be secured to a wall to keep the remote in a central location.



Operating the screen with the control box and the RF remote have the same controls. If the up or down buttons are held for over 1 second on the control box, the screen will stop moving when the button is released. The RF remote does not have to be pointed at a receiver for operation.

LOWERING THE PROJECTION SURFACE

Press the bottom button on the control unit and the projection surface will lower itself. When it is fully extended it will stop automatically.

RETRACTING THE PROJECTION SURFACE

Press the top button on the control unit and the projection surface will retract into its case. When it is fully retracted it will stop automatically.

STOPPING THE PROJECTION SURFACE

Press the middle button on the control unit to stop manually at an intermediate position.