



Triton Manual Screen User Manual

General Notes

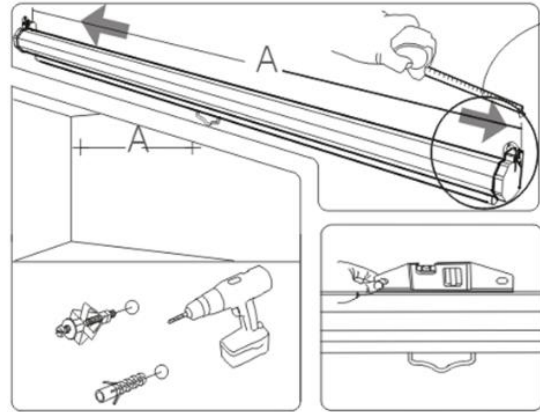
1. Thank you for choosing our projection screen for your home or business. Please read the user manual carefully before proceeding. Follow the provided instructions to complete installation quickly and safely.
2. Please ensure there are no other objects such as power switches, outlets, furniture, and windows occupying the space designated to hang the screen.
3. Make sure that the proper mounting anchors are used and the weight of the screen is supported. If you are unsure whether your mounting method can support your screen, please consult a home improvement specialist.
4. When not in use, retract the screen to protect the projection surface from dirt, dust, grime, or any other impurities.
5. When cleaning, use a soft damp cloth with warm water or diluted liquid detergent to remove any marks on the casing or on the screen surface.
6. Never attempt to use any solutions containing corrosive chemicals or abrasive cleaners on the screen surface.
7. To avoid damaging the screen, do not fold the screen or touch the screen directly with your hands, tools, or any other abrasive/sharp object.
8. Do not run the screen continuously for over 5 minutes as the motor has an anti-overheating function and will shut down. If this happens, let the motor cool down for 5-20 minutes and continue use.
9. Spare parts should be stored out of reach of small children in accordance with household safety.
10. Curvature will appear in the edge of fabric when fabric is extended completely. This is a common phenomenon and the curvature will gradually disappear after you hang the screen for about ten minutes.

Safety Guide

1. Do not stand underneath the screen when mounting or hanging. Expansive bolts should be firmly attached and fixed into the wall or ceiling.
2. Be sure the ground wire is connected with the power cable to avoid electric shock.
3. Have 2 people present when installing the screen.

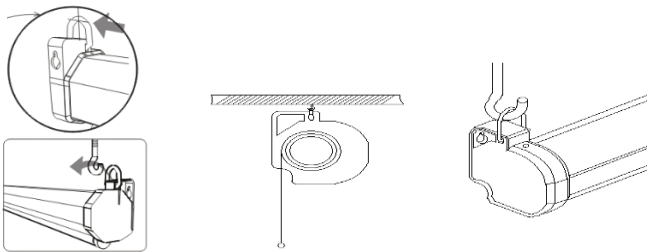
Installation Method

Install the screen in a location where the audience can see the whole screen when it is fully extended. The screen can be wall mounted or hung from a ceiling and users can choose the most suitable method according to their needs. Ensure the correct hardware is used for the chosen method. If unsure whether the hardware is appropriate for supporting the weight of the screen, contact your local home improvement specialist.



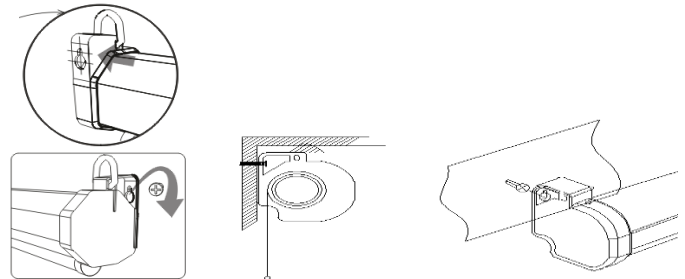
MOUNTING TO CEILING

Measure the distance between the D-rings and drill holes for the screw hooks with the same distance apart. Ensure the holes are in line with each other and parallel with the wall. Screw the appropriate screw hooks into the holes and hang the screen by the D-rings. Check that the screen is level and adjust accordingly if needed.



MOUNTING TO WALL

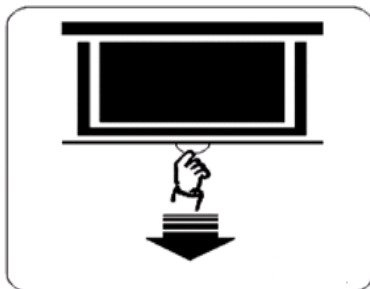
Measure the distance from the holes in the wall mounting brackets and mark out the same distance on the wall. Drill holes for the screws, making sure the holes are level. Screw an appropriate screw into each hole and hang the screen from the screws with the holes in the brackets. Check that the screen is evenly spaced from the wall with a level.



Screen Operation

LOWERING THE PROJECTION SURFACE

Pull the projection screen down to the desired length using the handle on the lower bar and allow the projection surface to retract a small amount to engage the locking mechanism.



RAISING THE PROJECTION SURFACE

Pulling the projection surface down a small amount will disengage the locking mechanism. Once the locking mechanism has been disengaged, the projection surface will be pulled back into its case.

